

GoBoard Point Drain System

GoBoard Tile Backer Board



Features and Benefits

- Fast installation – Complete tile projects in half the time or less.
- Ultra-light weight – Up to 80% lighter than cement boards, yet engineered for durability.
- Easy to cut, handle and install – Simply attach with GoBoard Fasteners or GoBoard Washers.
- Waterproof built-in – Seal only the board joints and fastener locations for a waterproof tile assembly.
- ANSI A118.10 compliant
- 1/4" for floors and countertops
- 1/2" and 5/8" for walls, showers, ceilings and floors
- 1", 1 1/2" and 2" for walls, benches, shelves, tub surrounds, vanities and countertops



GoBoard Accessories

GoBoard Sealant

- MS polymer specifically formulated for GoBoard
- Skins over quickly enabling same day tile installation



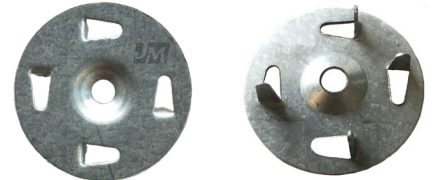
GoBoard Fasteners

- Larger head for increased holding strength
- Install every 8"





GoBoard Washer

- 1 ¼" tabbed, hardened steel washer for maximum holding strength
- Fasten every 12" and span joints

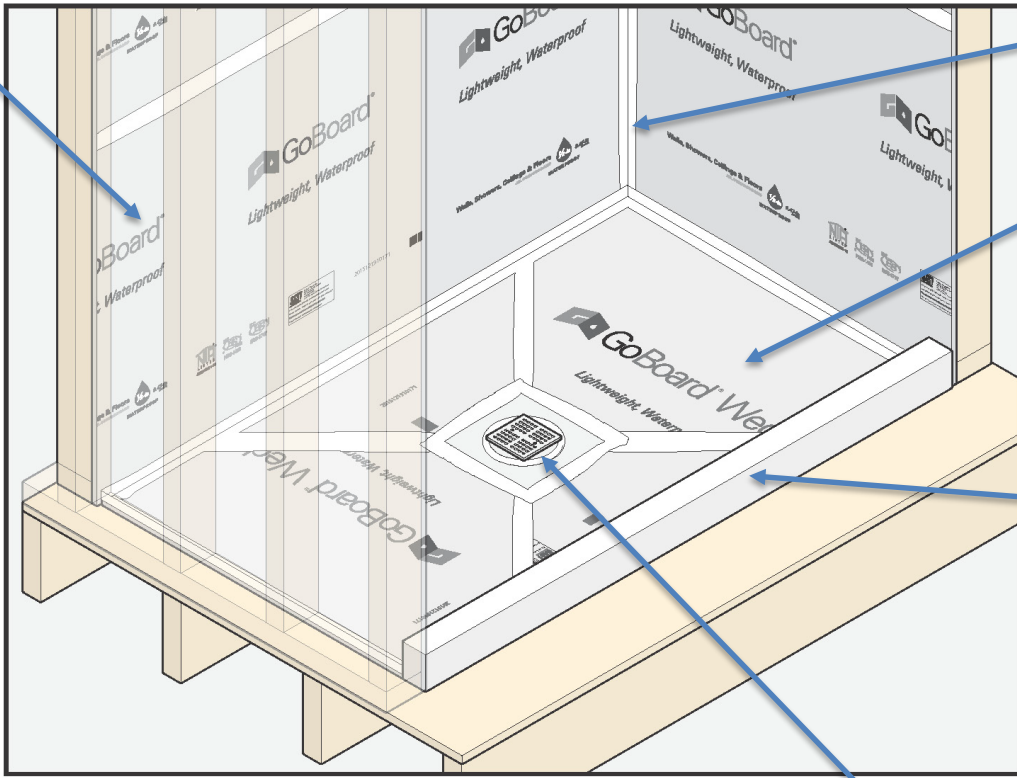


GoBoard Point Drain System

 GoBoard®

Install GoBoard with
 GoBoard® Fasteners
OR
 GoBoard® Washers

*The Fastest,
Easiest,
Shower
System
Available*



 GoBoard® Sealant

 GoBoard® Wedge

 GoBoard® Curb

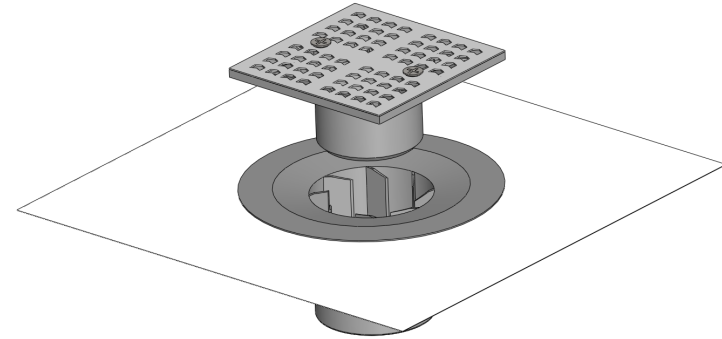
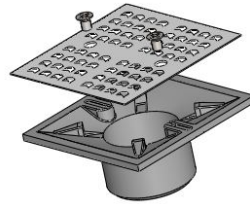
 GoBoard® Point Drain



GoBoard® Point Drain

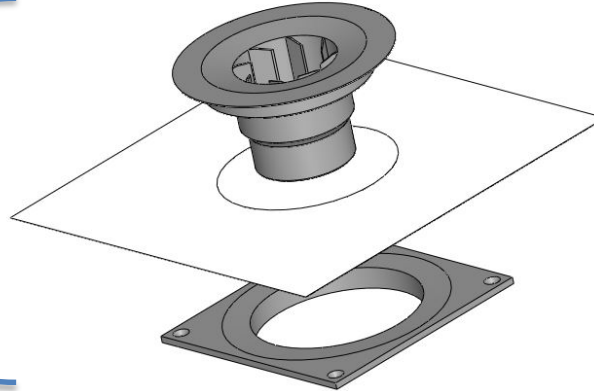
Drain Cover Assembly

- Drain Cover Screws
- Drain Cover
- Drain Cover Riser



Pre-Assembled Drain

- Drain Body
- Membrane
- Clamping Collar



Also Included with Drain Kit

- Mixing Valve Seal
- Waterproof Pipe Seal
- Clamping Collar Screws
- 2" Plastic Putty Knife

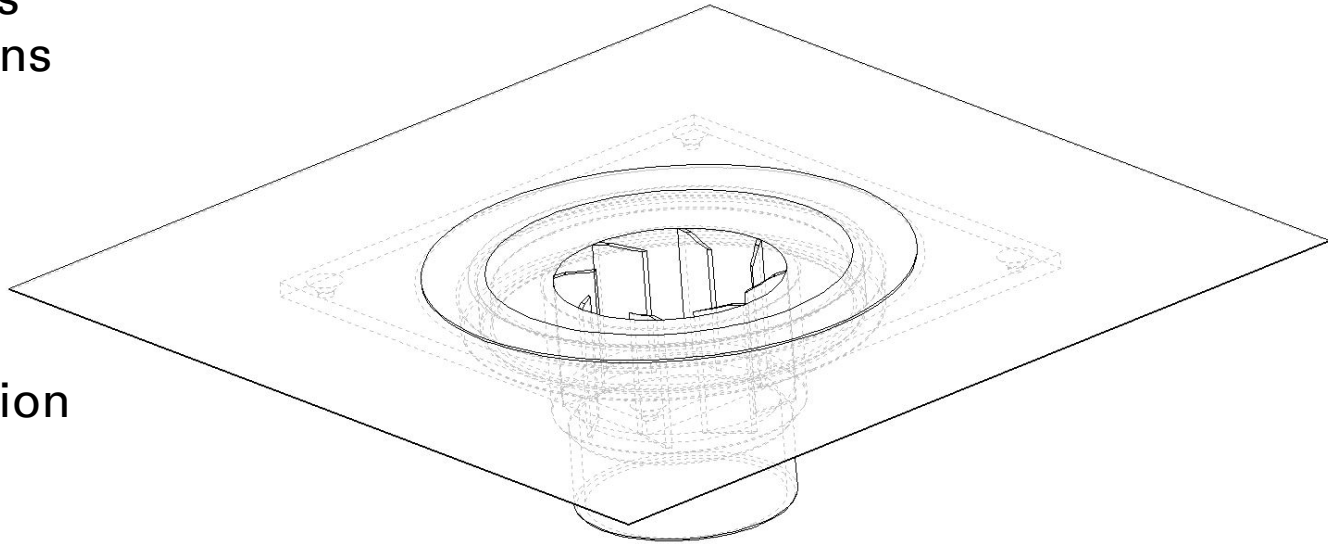
Purchased Separately as Needed

- GoBoard
- GoBoard Wedge
- GoBoard Curb
- GoBoard Sealant
- GoBoard Fasteners or Washers

Universal Drain Body

Features and Benefits

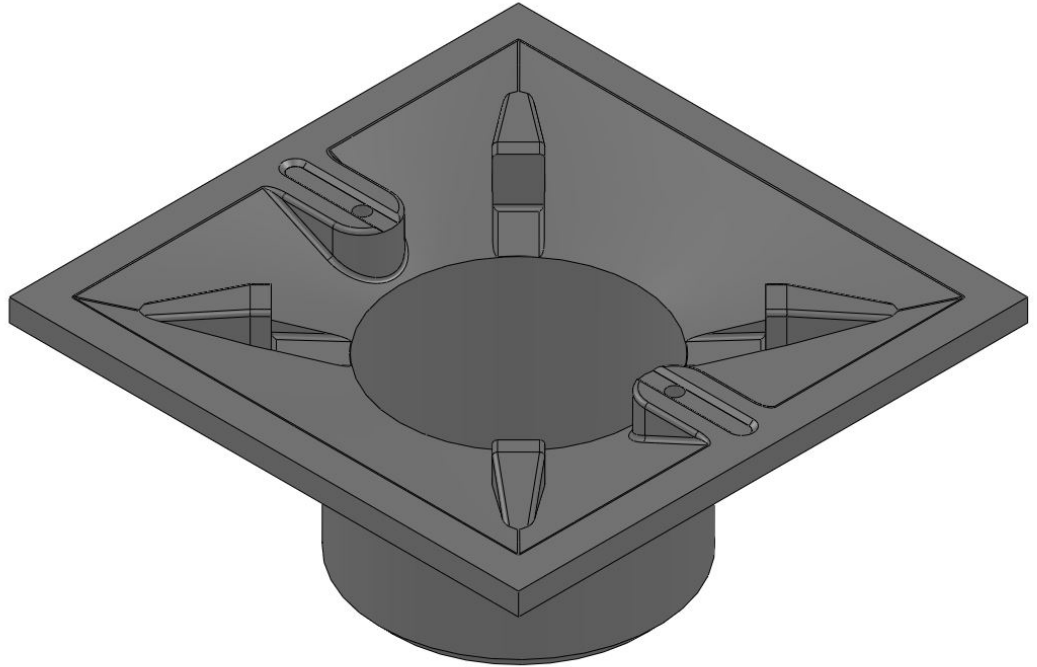
- Low profile enables curbless installations
- Fins accept many types of risers, threaded or unthreaded
- Adjust riser height during tile installation
- Drain secured to subfloor
- Integrated membrane
- IAPMO PS-106
- ASME A118-18-2



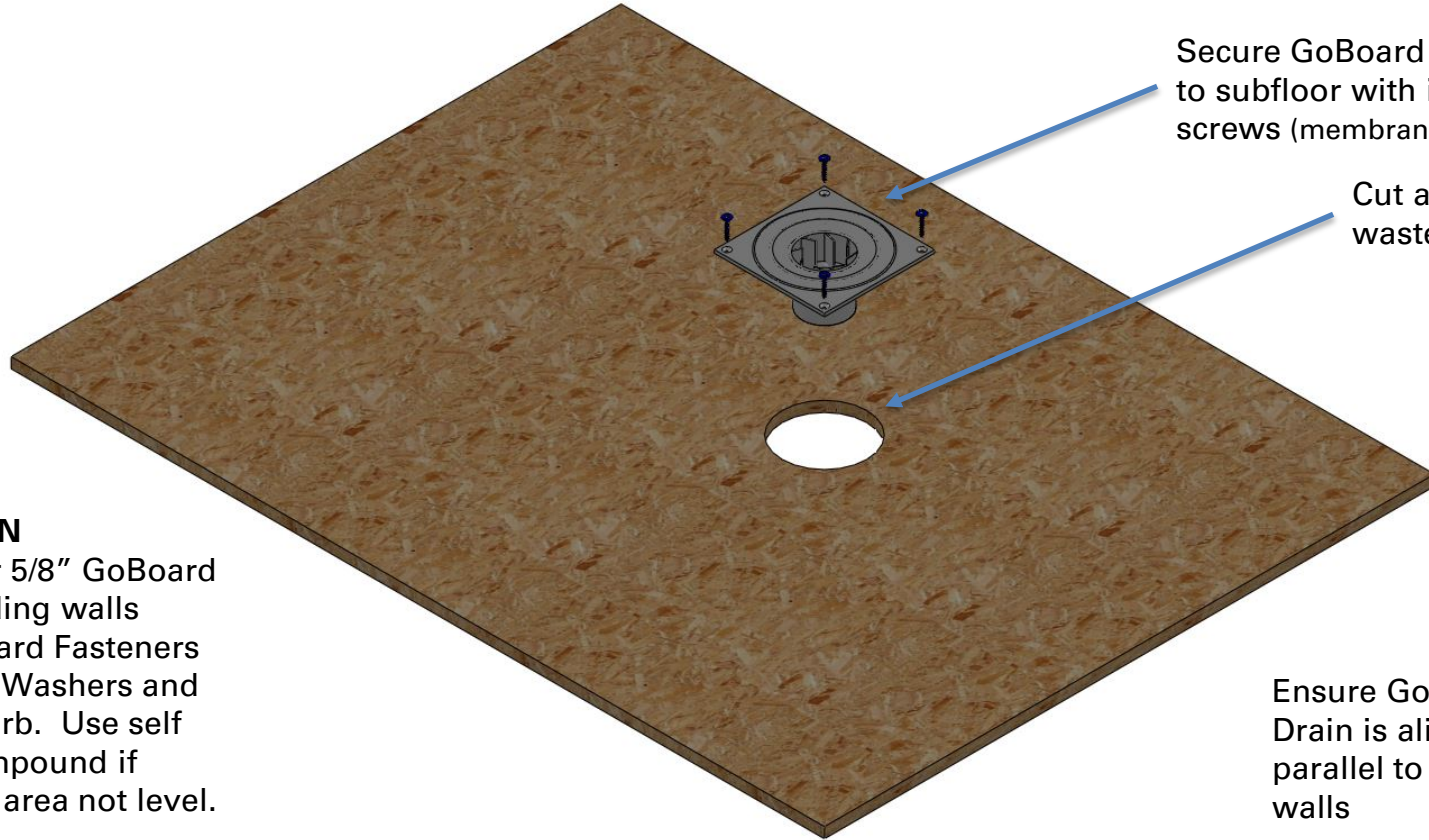
Universal Drain Cover Riser

Features and Benefits

- Low profile riser enables installation of thin tile
- Adjust height during tile installation
- Accepts both snap-in and screw-on drain covers
- Fits many different brands of drain covers



Installing Drain



Secure GoBoard point drain to subfloor with included screws (membrane not shown)

Cut a 5" hole near waste pipe

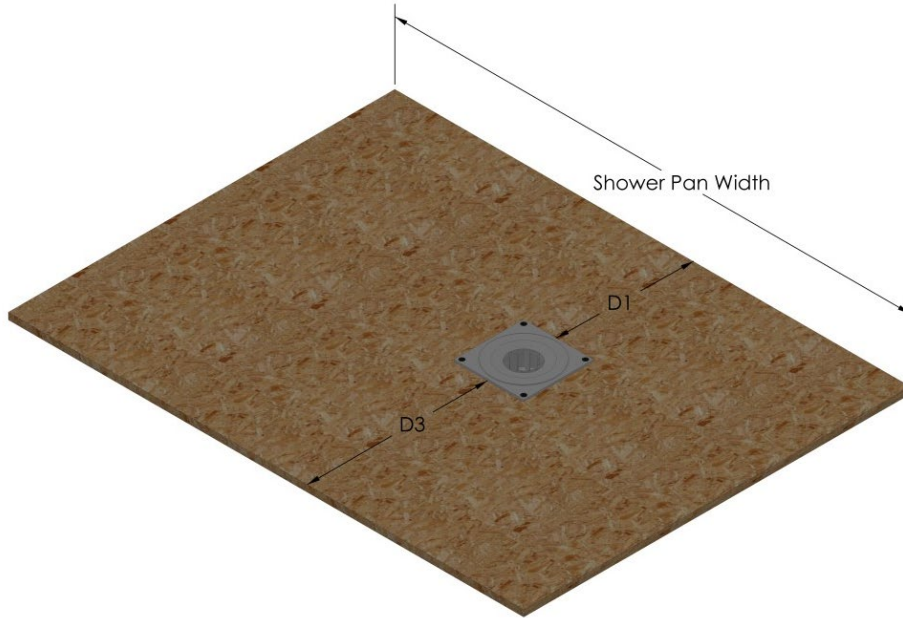
NOT SHOWN

Install ½" or 5/8" GoBoard on surrounding walls using GoBoard Fasteners or GoBoard Washers and GoBoard Curb. Use self leveling compound if shower pan area not level.

Ensure GoBoard Point Drain is aligned parallel to adjacent walls



Cutting Wedges



STEP 1

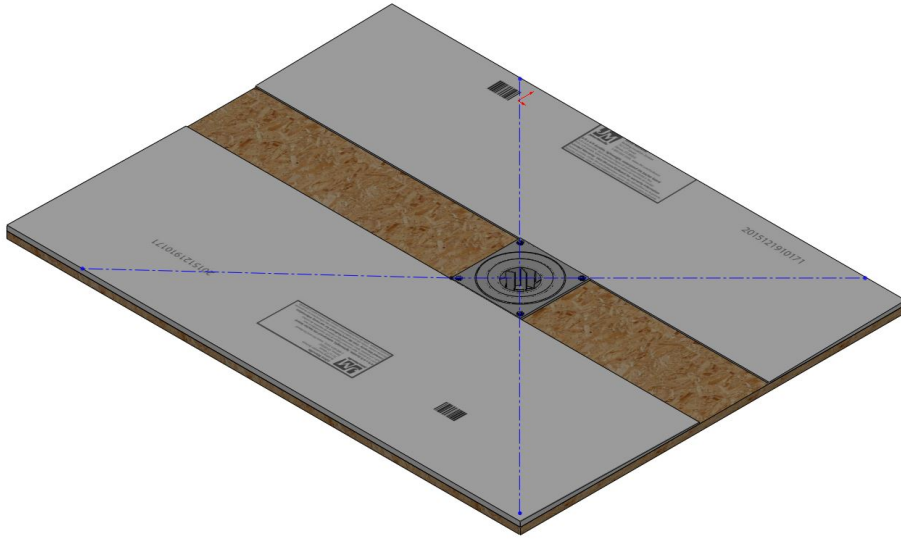
Measure the shower pan width and distance between drain edges and outside perimeter of shower pan area.



STEP 2

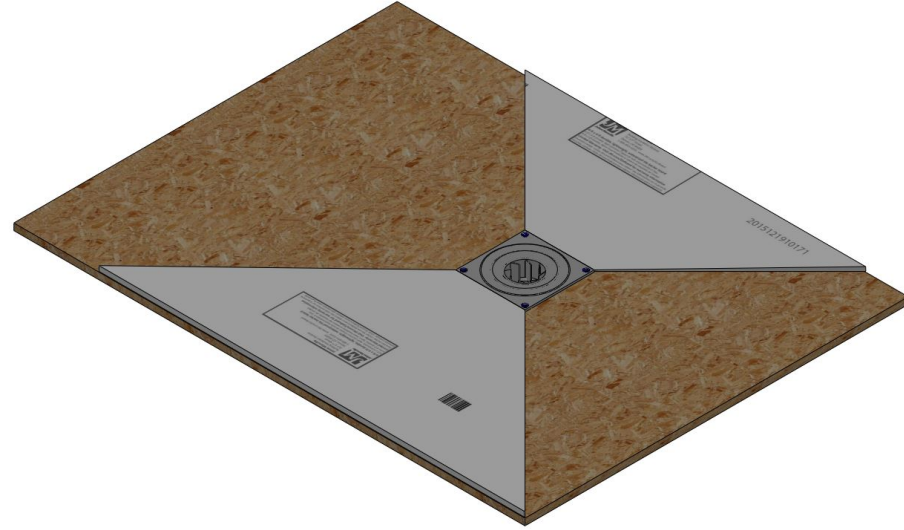
Cut the front (D3) and back (D1) wedges using measurements from step 1.

Cutting Wedges



STEP 3

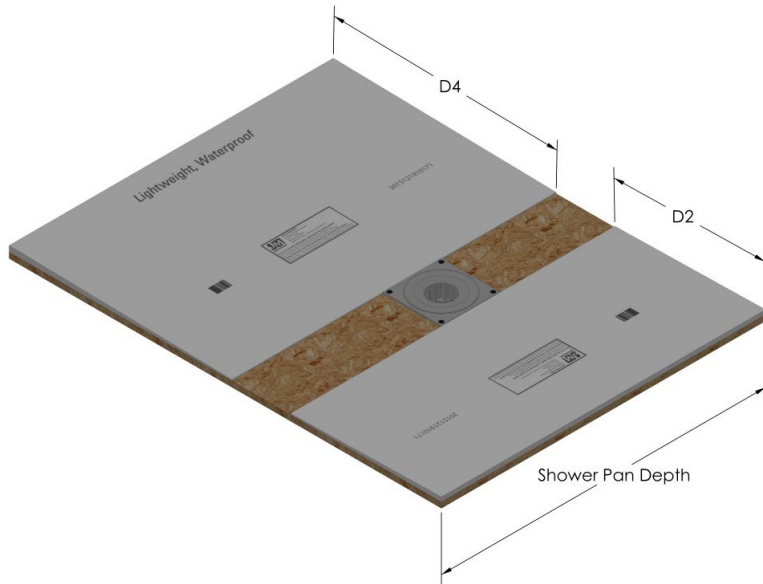
Using a straight edge, mark the 45 degree cut lines using corners of drain as reference points.



STEP 4

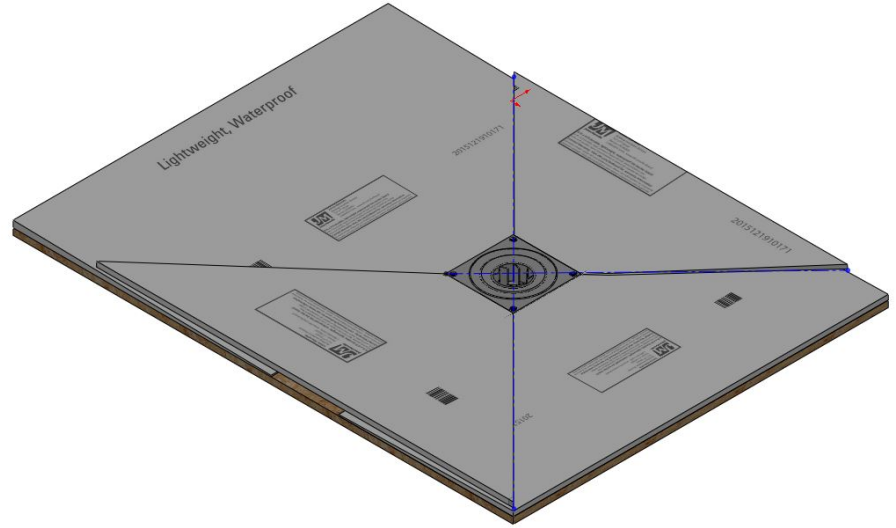
With a utility knife, cut on the inside of the 45 degree cut lines by approximately 1/16" to ensure proper gapping between wedges.

Cutting Wedges



STEP 5

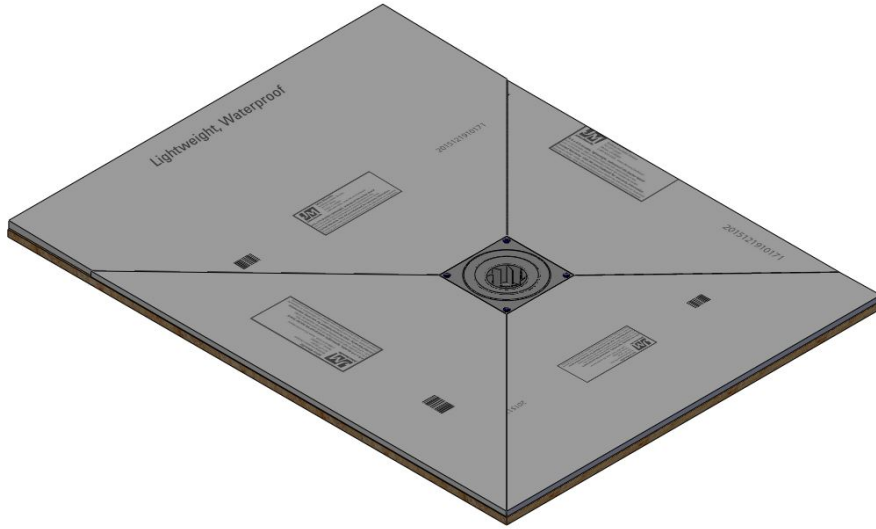
Repeat Steps 1 and 2 with the left (D4) and right (D2) wedges cutting to fit shower pan area.



STEP 6

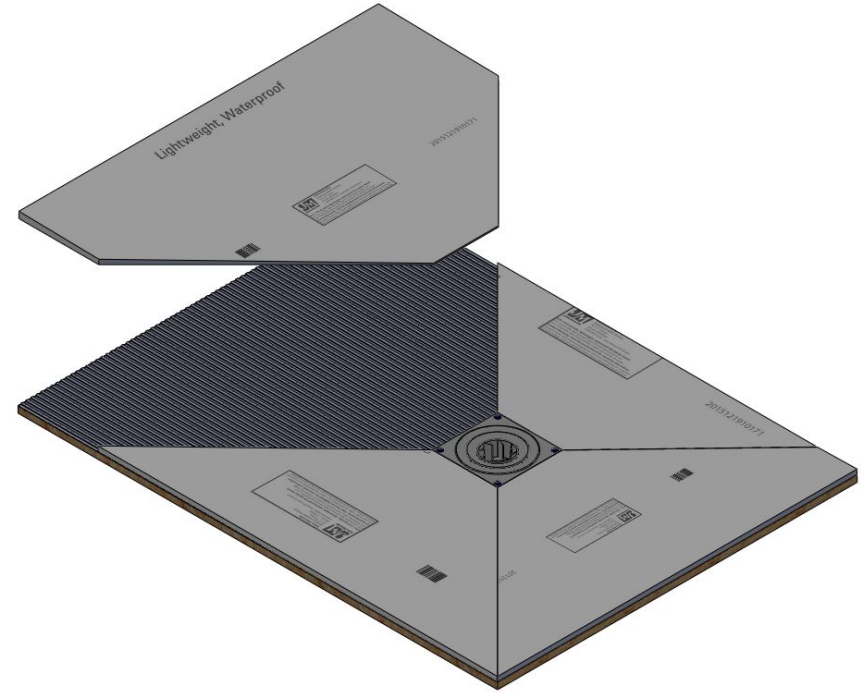
With a utility knife, cut on the inside of the 45 degree cut lines by approximately 1/16" to ensure proper gapping between wedges.

Installing Wedges



STEP 7

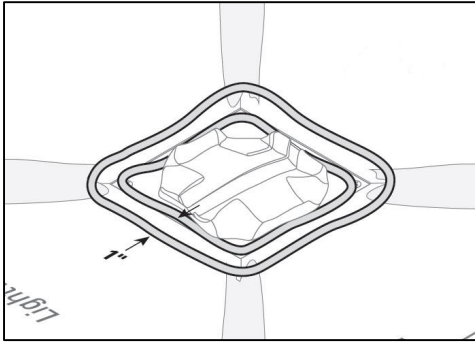
Dry fit all four cut wedges and ensure there are 1/8" gaps between wedges and surround walls. If not, trim wedges as needed.



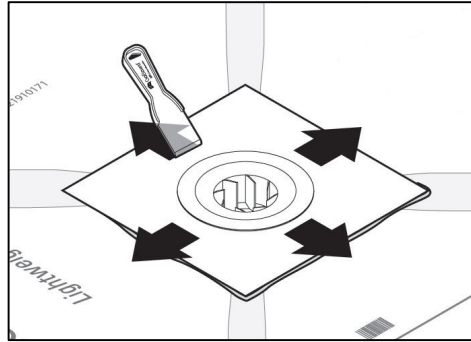
STEP 8

Apply thinset mortar onto subfloor using a square or v-notch trowel and firmly press each wedge into mortar. Slide wedges as needed to maintain 1/8" gaps.

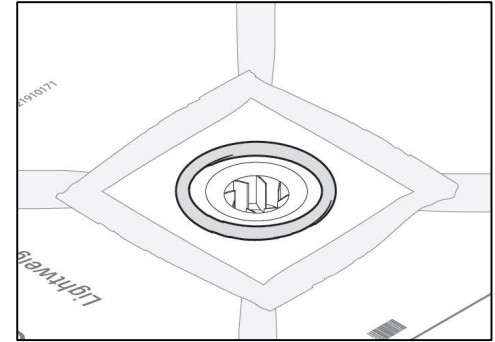
Complete Installation



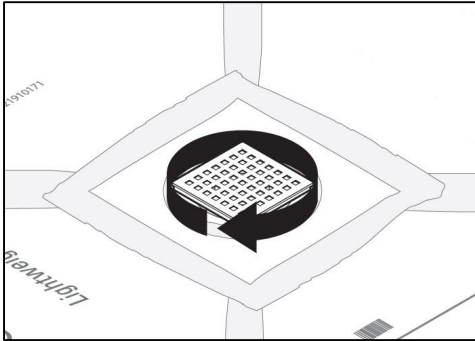
Apply GoBoard Sealant at all joints, over fastener penetrations and around drain



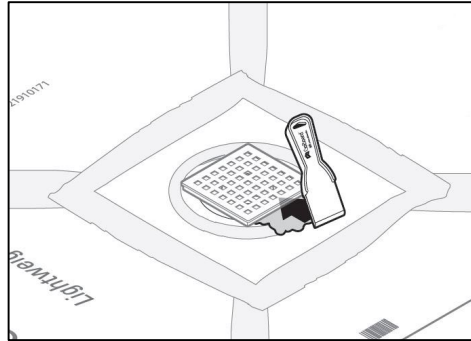
Spread sealant underneath membrane in an outward pattern as shown



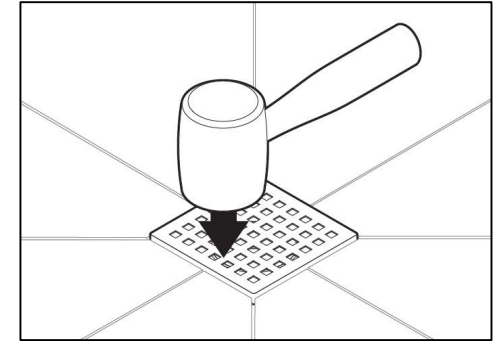
Spread excess sealant around membrane and drain body perimeter



Install drain cover riser

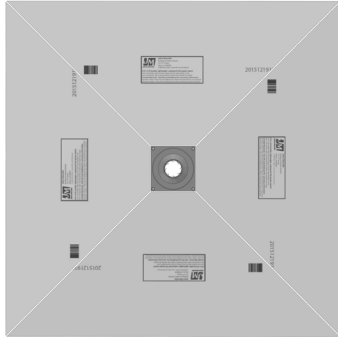


Pack thinset mortar underneath drain cover riser and begin tiling

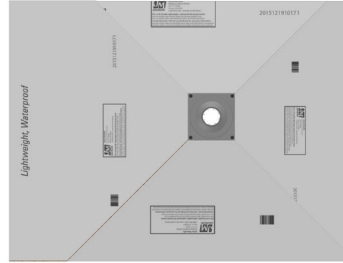


Once tile are installed near drain cover, adjust height as needed

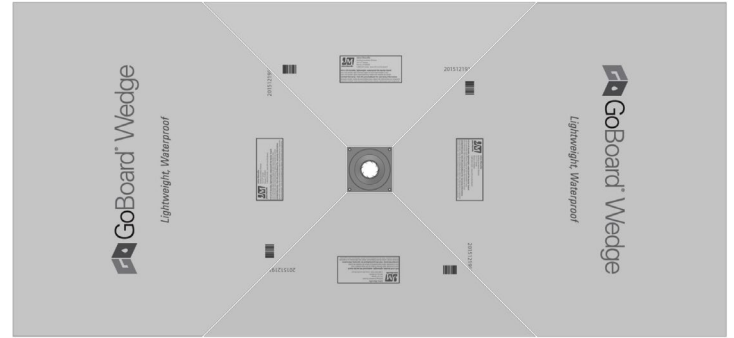
Design Possibilities with 4 Wedges



48" x 48" Center



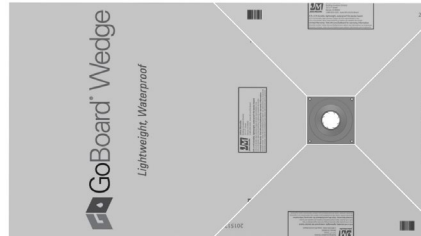
48" x 36" Offset



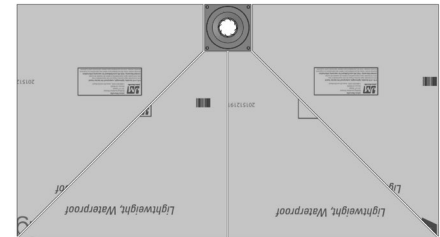
102" x 48" Center



Curbed Tub to Shower



Curbed Tub to Shower



Curb-less Tub to Shower

GoBoard Point Drain System

- Low profile design enables curbless installations.
- Universal drain body and drain cover riser ensures compatibility with numerous brands.
- Friction fit drain cover riser enables height adjustment during tile installation and compatibility with threaded and non-threaded risers.
- When used with GoBoard® Wedge, system accommodates all types of shower areas with centered and offset drain locations.
- Cut GoBoard® Wedge and GoBoard® Curb onsite, so no need to wait for specially sized pans.
- Like GoBoard®, the GoBoard® Point Drain system is lightweight, easy to install and waterproof!

Spend less time in the shower!

