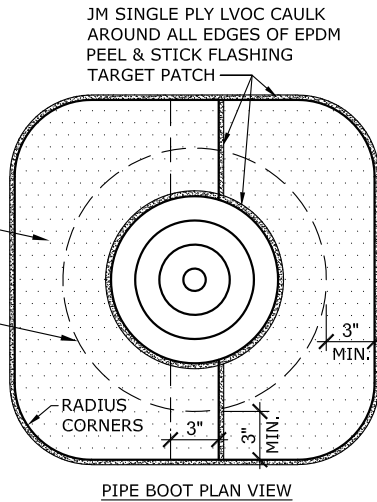


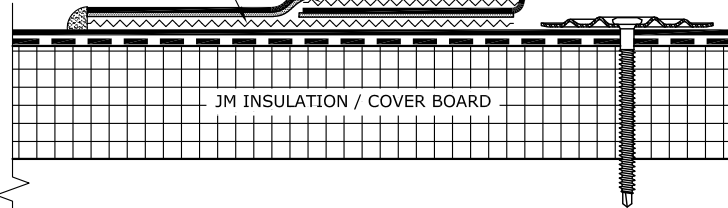
JM EPDM PEEL & STICK TARGET PATCH  
 INSTALLED USING TWO  
 PIECES OF 12" EPDM  
 PEEL & STICK FLASHING  
 CUT AROUND PIPE BOOT  
 AND OVERLAPPED 3" AS  
 SHOWN

PEEL & STICK PIPE BOOT  
 BOTTOM FLANGE UNDER  
 TARGET PATCH



PIPE BOOT PLAN VIEW

JM SINGLE PLY LVOC CAULK  
 JM EPDM 6" PEEL & STICK  
 FLASHING TARGET PATCH  
 JM EPDM TAPE PRIMER  
 SEE NOTE 4



APPROVED DECK

PIPE PENETRATION

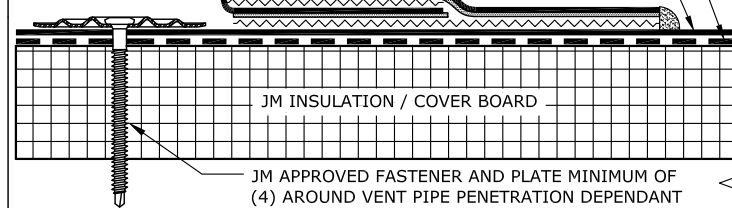
JM SINGLE PLY LVOC CAULK (AT TOP  
 OF CLAMP (SLOPED TO SHED WATER))  
 JM SINGLE PLY SEALING MASTIC  
 JM SINGLE PLY LVOC CAULK  
 (AT TOP OF CLAMP)  
 JM SINGLE PLY SEALING MASTIC  
 (BETWEEN PIPE AND NECK OF BOOT)  
 S.S. CLAMP AND SCREW  
 SHEET METAL RAIN COLLAR PER  
 SMACNA OR NRCA FASTENED TIGHT  
 AROUND PIPE WITH PIPE STRAP

JM EPDM PEEL & STICK PIPE BOOT

JM EPDM MEMBRANE ADHESIVE  
 (FOR ADHERED SPECIFICATIONS ONLY)  
 JM EPDM MEMBRANE ADHERED  
 SYSTEMS (30 YR. TERM) OR  
 MECHANICALLY FASTENED (25 YR. TERM)

3" (76 mm)  
 MIN.

3" (76 mm)  
 MIN.



JM INSULATION / COVER BOARD

JM APPROVED FASTENER AND PLATE MINIMUM OF  
 (4) AROUND VENT PIPE PENETRATION DEPENDANT  
 ON DECK MATERIAL(S). SEE SPECIFICATIONS FOR  
 FURTHER INFORMATION

APPROVED DECK

**NOTES:**

1. REFER TO JOHNS MANVILLE WEBSITE ([www.jm.com](http://www.jm.com)) FOR THE MOST CURRENT INFORMATION.
2. ANY CARPENTRY, METAL WORK, OR MASONRY CONSTRUCTION SHOULD BE DESIGNED AND CONSTRUCTED IN ACCORDANCE WITH LOCAL CODE REQUIREMENTS AND/OR PROJECT SPECIFICATIONS. THESE COMPONENTS SHOULD BE REVIEWED AND APPROVED BY A LICENSED DESIGN PROFESSIONAL.
3. JM EPDM MEMBRANE MUST BE CLEANED, THEN PRIMED ON TOP OF MEMBRANE AT SEAM TAPE WITH JM EPDM TAPE PRIMER. ROLL MEMBRANE WITH ROLLER UNDER PRESSURE AT PEEL & STICK SEAM TAPE OVER EPDM FLASHING.
4. JM EPDM TAPE PRIMER MUST BE APPLIED ON ALL SURFACES COMING INTO CONTACT WITH JM EPDM PEEL & STICK FLASHING.
  - JM EPDM (BLACK) MEMBRANE REQUIRES:  
 JM EPDM TAPE PRIMER OR JM SINGLE PLY MEMBRANE PRIMER (LOW VOC).
  - JM WHITE EPDM MEMBRANE REQUIRES:  
 JM TPO MEMBRANE PRIMER OR JM SINGLE PLY MEMBRANE PRIMER (LOW VOC).
5. PLEASE SEE SINGLE PLY FLASHING SPECIFICATIONS FOR A FULL DESCRIPTION OF INSTALLATION INSTRUCTIONS AND REQUIREMENTS WHICH ARE CONSIDERED A PART OF THIS DETAIL.

## PENETRATION WITH JM PEEL & STICK PIPE BOOT

DRAWING NO.

**E-FP-07**

PENETRATION

MEMBRANE TYPE:

JM EPDM / JM WHITE EPDM

MAXIMUM GUARANTEE TERM:

30 YEAR

ISSUE DATE

01-30-25

SCALE

N.T.S

Johns Manville is a manufacturer of commercial roofing products and offers this general conceptual information to you as a courtesy for general educational purposes only. This complimentary assistance is not to be either used or relied upon by anyone as a substitute for professional engineering design and documentation required by any building code, contract, or applicable law. By accepting the general conceptual information, you agree it does not constitute any representations, endorsements of, or an assumption by Johns Manville of any duty or liability for either the adequacy of the design of a building, any of its components or the sufficiency of any construction.

