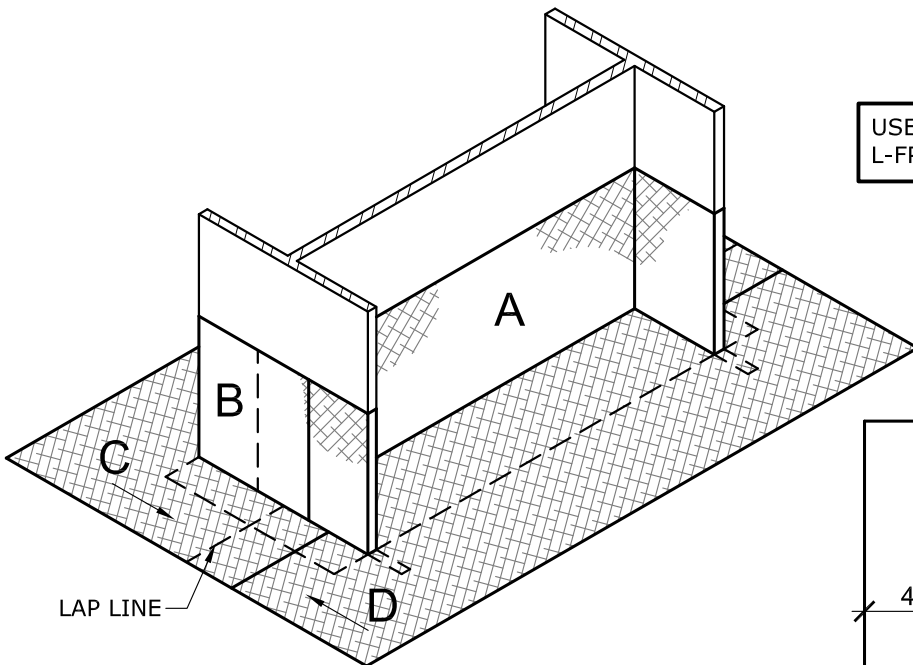
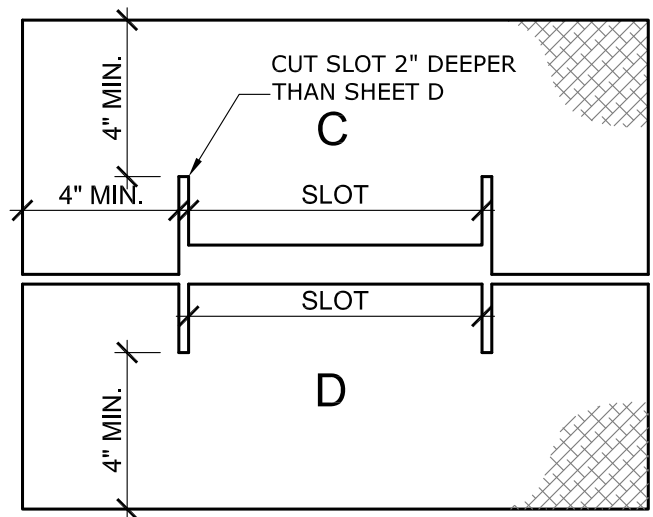


VERTICAL SURFACES
STEPS A & B



USE THIS DETAIL IN CONJUNCTION WITH DETAIL L-FP-041 WHICH IS PART OF THIS INSTALLATION.



HORIZONTAL SURFACES
STEPS C & D

NOTES:

1. ALL FOLD LINES SHOWN AS:
 ALL CUT LINES SHOWN AS: - - - - -

DRAWING NO.

L-FP-04S

DRAINS & VENTS

WIDE FLANGE FLASHING SCRIM LAYOUT

MEMBRANE TYPE:
 JM PMMA

SCALE: N.T.S.
 ISSUE DATE: 04-10-24

MAXIMUM GUARANTEE TERM:
 20 YEAR

Johns Manville is a manufacturer of commercial roofing products and offers this general conceptual information to you as a courtesy for general educational purposes only. This complimentary assistance is not to be either used or relied upon by anyone as a substitute for professional engineering design and documentation required by any building code, contract, or applicable law. By accepting the general conceptual information, you agree it does not constitute any representations, endorsements of, or an assumption by Johns Manville of any duty or liability for either the adequacy of the design of a building, any of its components or the sufficiency of any construction.

