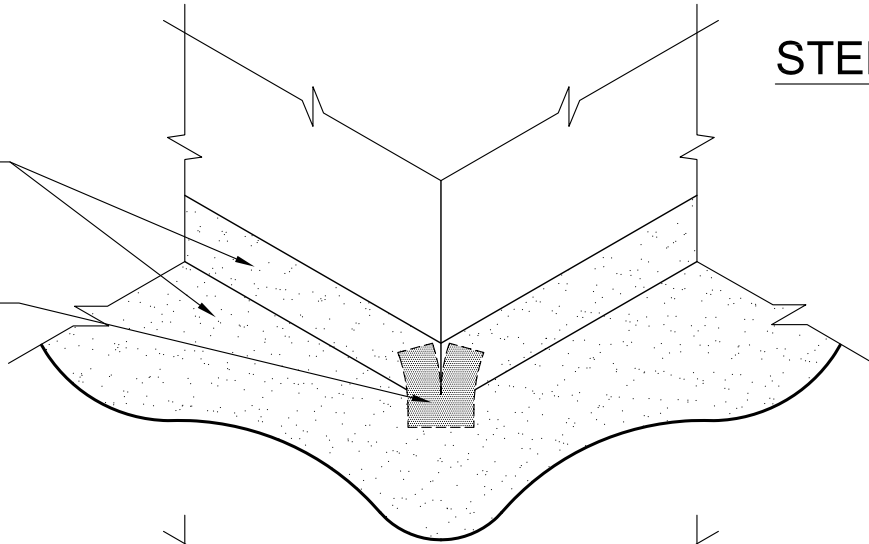


STEP 1

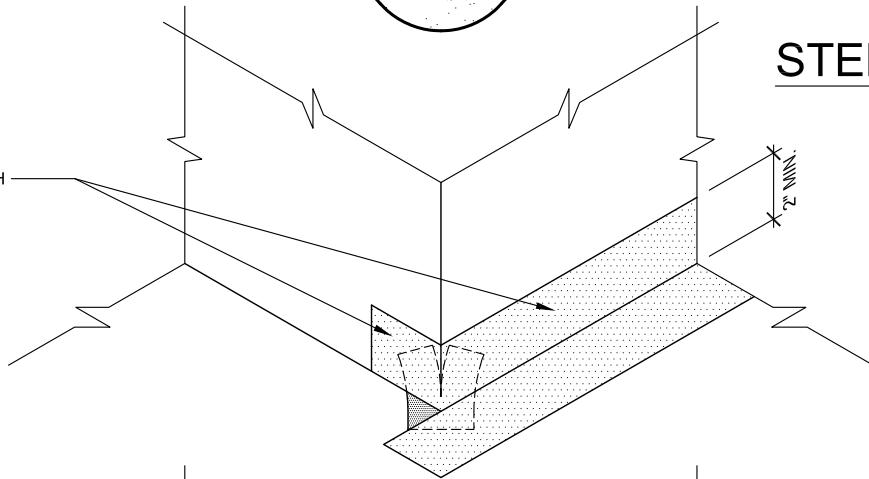
JM SA PRIMER OR
SA PRIMER LOW VOC
(SEE NOTES)

JM VAPOR BARRIER
SA CORNER PATCH



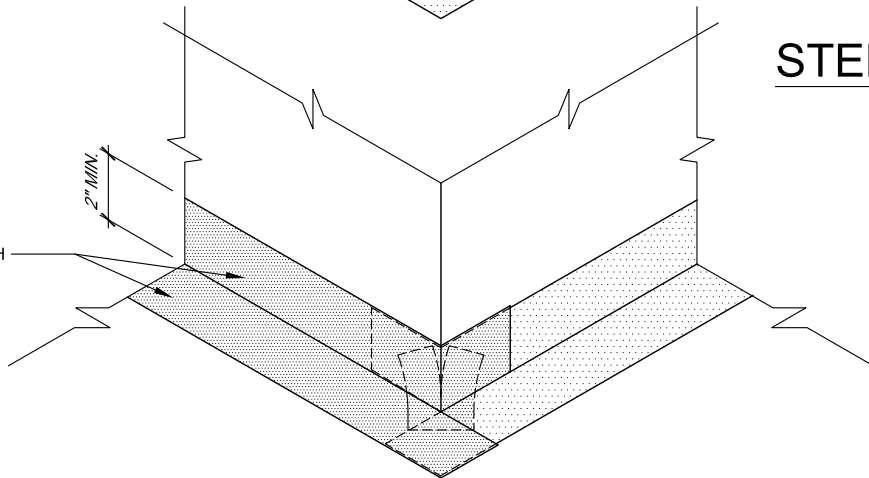
STEP 2

JM VAPOR BARRIER SA
OUTSIDE CORNER PATCH



STEP 3

JM VAPOR BARRIER SA
OUTSIDE CORNER PATCH



NOTES

1. USE DETAIL IN CONJUNCTION WITH THE STANDARD CURB DETAIL FOR APPROVED ROOF SYSTEM.
2. REFER TO JM VAPOR BARRIER AND PRIMER INSTALLATION INSTRUCTIONS FOR GENERAL GUIDELINES REGARDING THESE SYSTEMS.
3. FOR STEEL DECK SYSTEMS IT IS REQUIRED TO HAVE A MINIMUM OF 1/2" THERMAL BARRIER FASTENED TO STEEL DECK BEFORE JM VAPOR BARRIER IS ADHERED.

DRAWING NO.

VB-5

JM VAPOR BARRIER SA - OUTSIDE CURB DETAIL

MEMBRANE TYPE:

Johns Manville is a manufacturer of commercial roofing products and offers this general conceptual information to you as a courtesy. This complimentary assistance is not to be used or relied upon by anyone as a substitute for professional engineering design and documentation required by building code, contract, or applicable law. By accepting these comments you agree they do not constitute any representations, endorsements of, or an assumption by Johns Manville of any liability for either the adequacy of the design of this building or any other material not supplied by Johns Manville.

SCALE
N.T.S

ISSUE DATE
10-11-13

MAXIMUM GUARANTEE TERM:

