

**Bulletin Number:** T21-007

**Date:** December 1, 2021

**Distribution:** External

## New Johns Manville Termination Bar Offering

Supply chain challenges and raw material shortages have touched nearly every Roofing Systems product line in 2021. Additionally, recent supply challenges with aluminum extrusions have developed which are utilized for the manufacturing of termination bar and some edge metal systems. In an effort to ensure continuous supply of termination bar for our customers, JM is introducing a new termination bar SKU (70008190) to supplement supply. The new termination bar is manufactured with .080 forged aluminum stock and includes a caulk flange on one side of the termination bar.

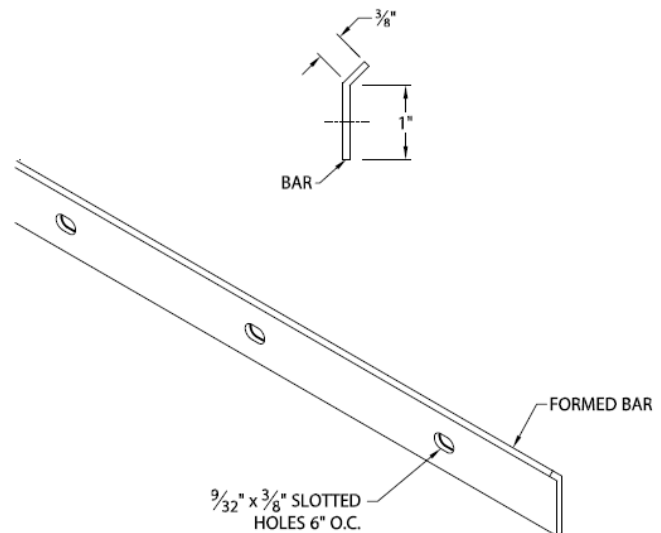
### Product Information:

JM Part Name	JM SKU	Length	Package	Length	Tubes/Pallet	Pallet/Truck
Termination Bar Single Flange 12' Length	70008190	12'	42 / 4" tube	504 ft / tube	30	8

SKU 70008190 will be stocked at varying levels in the following locations:

- Hazleton, PA
- Rockdale, IL
- Scottsboro, AL
- Tracy, CA

Installation of this single flange termination bar includes positioning the bar so the caulk flange is facing upward with 6" O.C. fastening in exposed applications and 12" O.C. fastening when covered by metal counterflashing. The single flange termination bar is to be installed in the same fashion as the Single Ply Termination Bar that JM offers. Please refer to published details on [jm.com](http://jm.com) for specific requirements.



Thank you for your continued support and partnership through these industry challenges, please reach out to your JM representative with any questions.

Matt Sayer  
Senior Product Manager