

### Features and Components

Extra High Load Fasteners are #21 fasteners with a #3 Phillips head. The point is designed for quick installation in new and re-roof applications. Extra High Load Fasteners are only compatible with Extra High Load Plates.

The Extra High Load Plate is a 3" (7.62 cm) diameter, Galvalume®-coated steel plate with eye hooks. The Extra High Load Plate incorporates an oversized diameter hole to accommodate the larger wire size of the Extra High Load Fastener.

**Use:** Thermoplastic Membranes

**Material:** Extra High Load Fastener - Case-hardened steel  
Extra High Load Plate - Galvalume-Coated Steel

**Gauge:** #21

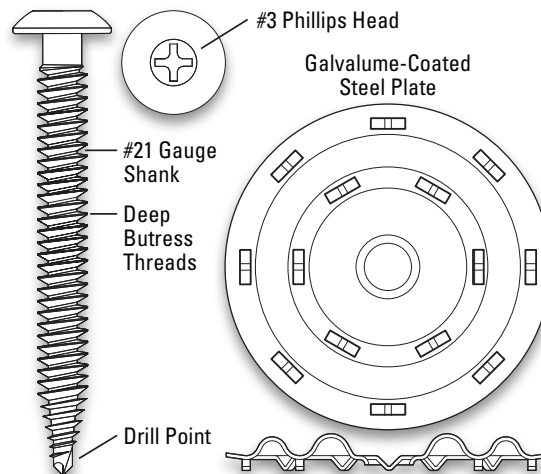
**Head:** #3 Phillips head

**Plate:** 3" (7.6 cm) round

**Color:** Black (fasteners), Grey (plates)

**Deck Types:** Wood or 18 - 24 gauge (1.25 mm - 0.56 mm) Metal.

\* Galvalume is a registered trademark of BIEC International, Inc. and some of its licensed producers.



**Component**  
**F**  
Fastening

**Type**  
**M**  
Membrane  
Single Ply



**System Compatibility** This product may be used as a component in the following systems. Please reference product application for specific installation methods and information.

Multi-Ply	BUR		APP		SBS				
	HA	CA	CA	HW	HA	CA	HW	CA	MF
<b>Do not use in Multi-Ply systems</b>									

Single Ply	TPO		PVC		EPDM		
	MF	FA	MF	FA	MF	FA	BA
<b>Use to fasten Membranes in the selected Single Ply system above</b>							

**Key:** HA = Hot Applied CA = Cold Applied HW = Heat Weldable SA = Self Adhered MF = Mechanically Fastened FA = Fully Adhered BA = Ballasted

### Energy and the Environment

Recycled Content	This steel based product contains a minimum of 25% post consumer recycled materials by weight
------------------	---

### Peak Advantage® Guarantee Information

Systems	Approved to use with any Peak Advantage Guarantee
---------	---

### Codes and Approvals\*



\*Fastener approvals are based on system approvals

### Installation/Application

\*The Extra High Load Fastener is compatible with the Extra High Load Plate only.\*

Steel deck: minimum 3/4" penetration

Wood deck: minimum 1" penetration

### Packaging and Dimensions

Fastener Sizes	Quantity per Container*
2" to 3" (5.1 cm to 7.6 cm),	1,000/pail
4" to 6" (10.2 cm to 15.2 cm)	500/pail
7" to 8" (17.8 cm to 20.32 cm)	250/pail
Plate Size	Quantity per Container
3" (7.6 cm) round	500/pail
Producing Locations**	Agawam, MA and Itasca, IL

\* A bit is provided in each pail.

\*\*The point of manufacture for fasteners and plates varies depending on the specific part. Call your local JM sales professional for assistance.