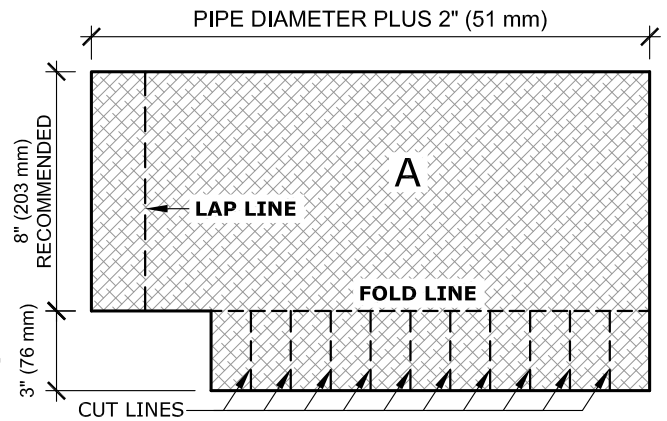
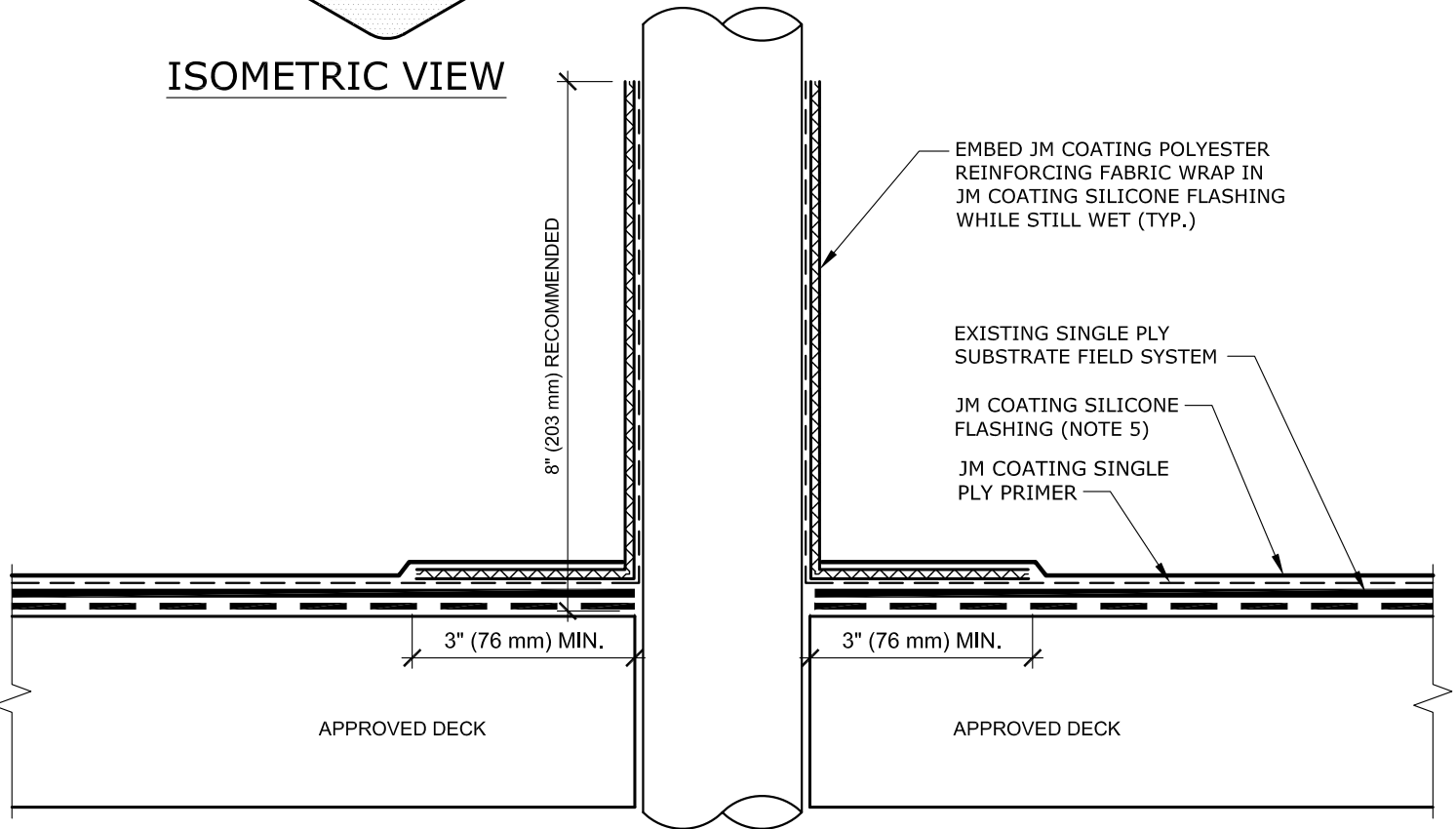


ISOMETRIC VIEW



POLYESTER FINGER CUTS



NOTES:

1. REFER TO JOHNS MANVILLE WEBSITE (www.jm.com) FOR MOST UP-TO-DATE INFORMATION.
2. ANY CARPENTRY OR METAL WORK SHOULD BE DESIGNED AND CONSTRUCTED IN ACCORDANCE WITH LOCAL CODE REQUIREMENTS AND/OR PROJECT SPECIFICATIONS. THESE COMPONENTS SHOULD BE REVIEWED AND APPROVED BY A LICENSED DESIGN PROFESSIONAL.
3. JM COATING FLASHING CONSISTS OF JM COATING SILICONE FLASHING, JM COATING POLYESTER REINFORCING FABRIC, JM COATING SILICONE FLASHING. USE THE APPROPRIATE JM COATING SINGLE PLY PRIMER DEPENDING ON TYPE OF SUBSTRATE.
4. ENSURE ALL MEMBRANE TERMINATIONS ARE ENCAPSULATED IN JM COATING SILICONE FLASHING (TYP.)
5. FOR JM COATING SILICONE FIELD SYSTEM 5 AND 10 YEAR GUARANTEE TERMS, USE THE APPROPRIATE SINGLE COAT APPLICATION GALLONS PER SQUARE DEPENDING ON THE TYPE OF SINGLE PLY SUBSTRATE. USE THE APPROPRIATE JM COATING SINGLE PLY PRIMER WITH APPROPRIATE JM COATING SILICONE FIELD SYSTEM.
6. REFER TO JM COATING FLASHING SPECIFICATIONS FOR A FULL DESCRIPTION OF INSTALLATION INSTRUCTIONS AND REQUIREMENTS WHICH ARE CONSIDERED A PART OF THIS DETAIL.

DRAWING NO.

CSSP-FP-01

PENETRATION

SCALE

N.T.S

ISSUE DATE

04-09-24

MEMBRANE TYPE:

JM COATING - SILICONE

MAXIMUM GUARANTEE TERM:

PIPE PENETRATION FLASHING

Johns Manville is a manufacturer of commercial roofing products and offers this general conceptual information to you as a courtesy for general educational purposes only. This complimentary assistance is not to be either used or relied upon by anyone as a substitute for professional engineering design and documentation required by any building code, contract, or applicable law. By accepting the general conceptual information, you agree it does not constitute any representations, endorsements of, or an assumption by Johns Manville of any duty or liability for either the adequacy of the design of a building, any of its components or the sufficiency of any construction.

