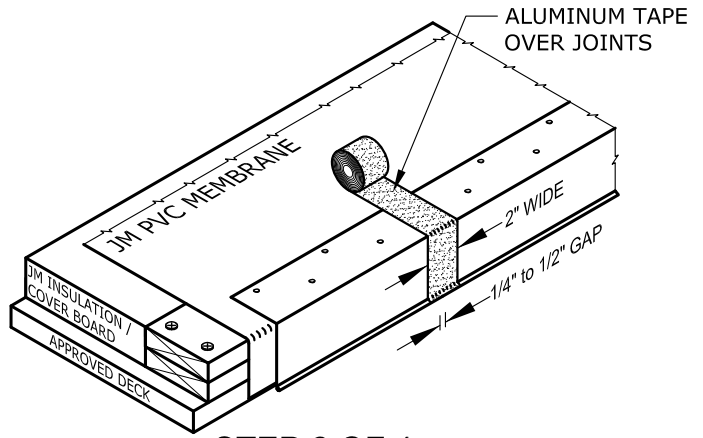
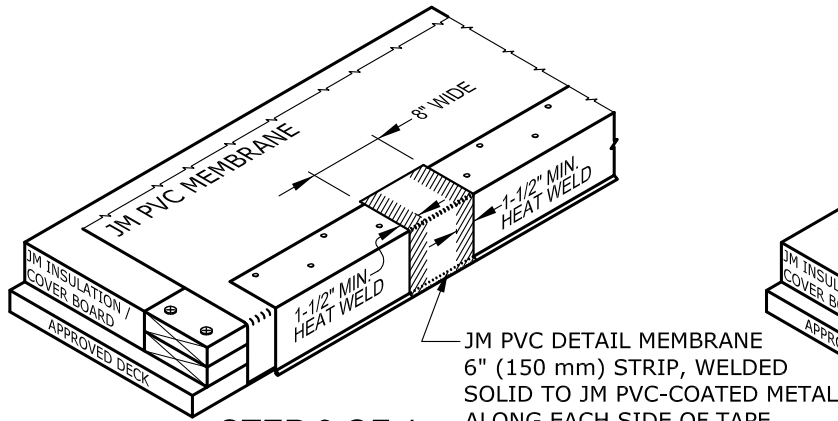


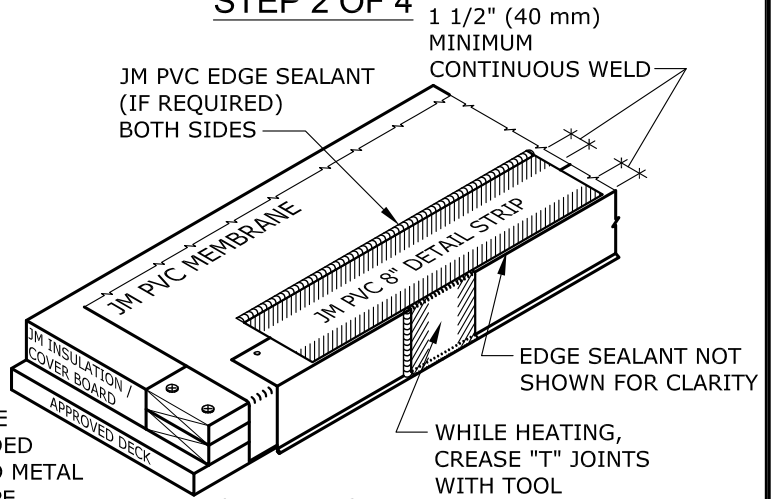
STEP 1 OF 4



STEP 2 OF 4



STEP 3 OF 4



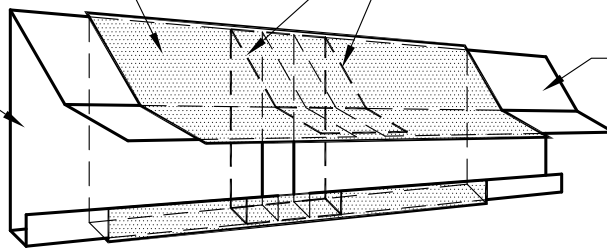
STEP 4 OF 4

JM PVC DETAIL MEMBRANE
6" (150 mm) STRIP, WELDED
SOLID TO JM PVC-COATED METAL
ALONG EACH SIDE OF TAPE

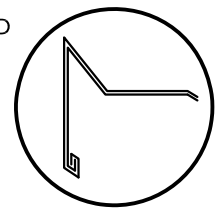
ALUMINUM TAPE COVERING ENTIRE
LENGTH OF 1/4" (7 mm) MINIMUM TO
1/2" (15 mm) MAXIMUM WIDTH JM
PVC-COATED METAL JOINT

PVC COATED
METAL

PVC COATED
METAL



GRAVEL STOP



PROFILE VIEW

NOTES:

1. REFER TO JOHNS MANVILLE WEBSITE (www.jm.com) FOR MOST UP-TO-DATE INFORMATION.
2. PLEASE SEE SINGLE PLY FLASHING SPECIFICATIONS FOR A FULL DESCRIPTION OF INSTALLATION INSTRUCTIONS AND REQUIREMENTS WHICH ARE CONSIDERED A PART OF THIS DETAIL.
3. ANY CARPENTRY OR METAL WORK SHOULD BE DESIGNED AND CONSTRUCTED IN ACCORDANCE WITH LOCAL CODE REQUIREMENTS AND/OR PROJECT SPECIFICATIONS. THESE COMPONENTS SHOULD BE REVIEWED AND APPROVED BY A LICENSED DESIGN PROFESSIONAL.
4. JM PVC EDGE SEALANT IS OPTIONAL ON CUT OR NON ENCAPSULATED EDGES OF PVC REINFORCED MEMBRANE. THIS INCLUDES FACTORY CUT MEMBRANE.

DRAWING NO.

P-FE-CM6

FLASHING EDGE

BUTT JOINT AT EDGE (PVC COATED METAL)

MEMBRANE TYPE:
JM PVC

SCALE
N.T.S

ISSUE DATE
08-07-19

MAXIMUM GUARANTEE TERM:
30 YEAR

Johns Manville is a manufacturer of commercial roofing products and offers this general conceptual information to you as a courtesy. This complimentary assistance is not to be used or relied upon by anyone as a substitute for professional engineering design and documentation required by building code, contract, or applicable law. By accepting these comments you agree they do not constitute any representations, endorsements of, or an assumption by Johns Manville of any liability for either the adequacy of the design of this building or any other material not supplied by Johns Manville.

