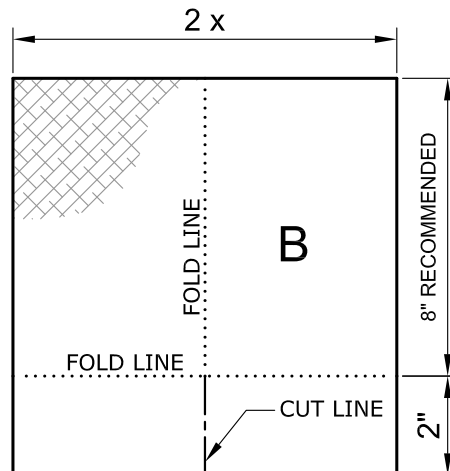
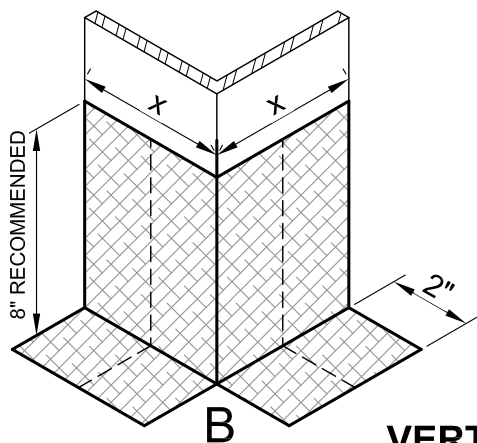
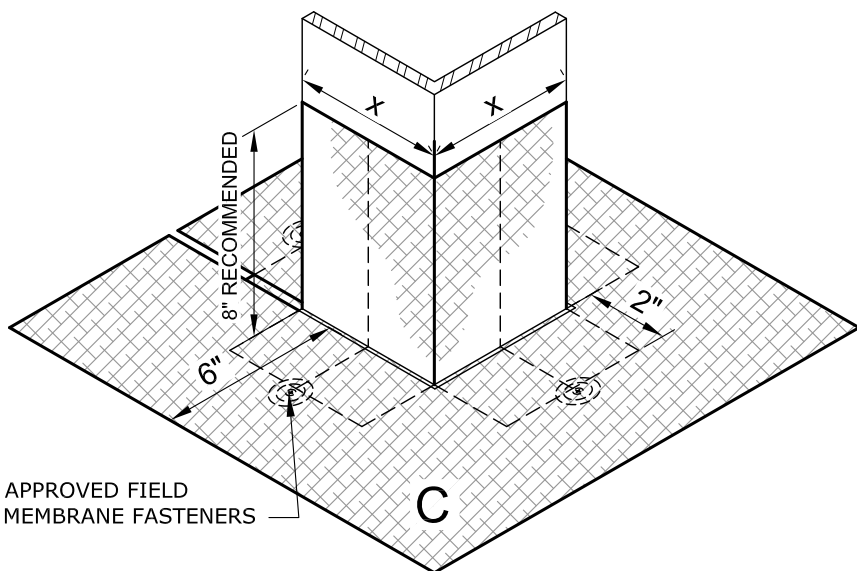


CUT LINES (TYP.)

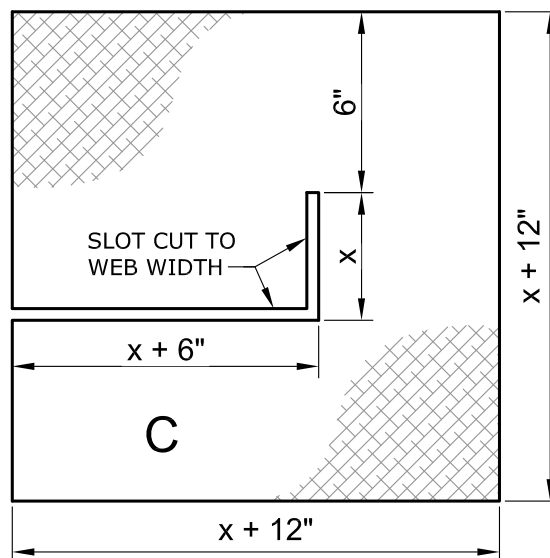


VERTICAL SURFACES

STEPS A & B



APPROVED FIELD MEMBRANE FASTENERS



HORIZONTAL SURFACE

STEP C

NOTES:

1. ALL FOLD LINES REPRESENTED AS
ALL CUT LINES REPRESENTED AS - - - -

USE THIS DETAIL IN CONJUNCTION WITH DETAILS SPL-FP-08/09 WHICH IS PART OF THIS INSTALLATION.

DRAWING NO.

SPL-FP-10

ANGLE IRON FLASHING SCRIM LAYOUT

MEMBRANE TYPE:
JM SP LIQUID

Johns Manville is a manufacturer of commercial roofing products and offers this general conceptual information to you as a courtesy for general educational purposes only. This complimentary assistance is not to be either used or relied upon by anyone as a substitute for professional engineering design and documentation required by any building code, contract, or applicable law. By accepting the general conceptual information, you agree it does not constitute any representations, endorsements of, or an assumption by Johns Manville of any duty or liability for either the adequacy of the design of a building, any of its components or the sufficiency of any construction.

SCALE
N.T.S

ISSUE DATE
04-08-24

MAXIMUM GUARANTEE TERM:
N/A

