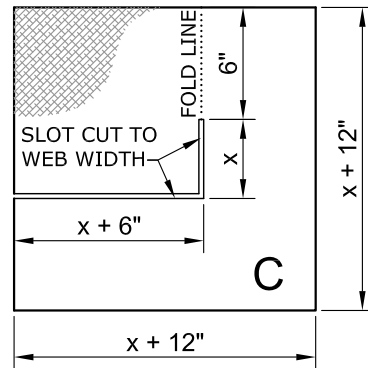
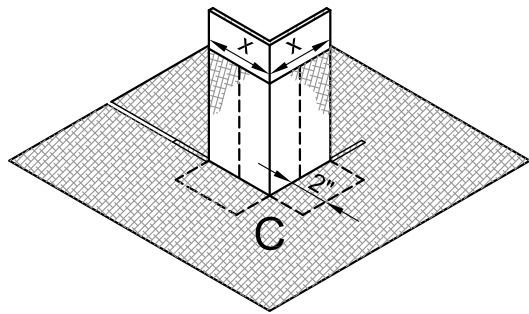


VERTICAL SURFACES STEPS A & B



HALF SCALE

HORIZONTAL SURFACE STEP C

NOTES:

- A. USE SCRIM LAYOUT IN CONJUNCTION WITH THE PERMAFLASH ANGLE IRON DETAIL DRAWING, PMF-2.
- B. ALL FOLD LINES REPRESENTED AS ALL CUT LINES REPRESENTED AS - - - - -
- C. AN EXTRA COAT OF MBR FLASHING CEMENT OR **1-PART PERMAFLASH®** MUST BE PLACED BETWEEN SCRIM LAYERS WHERE THEY OVERLAP TO ENSURE A PROPER BOND.
- D. JM ONE-PART PERMAFLASH 20 YEAR MAXIMUM GUARANTEE TERM AND TWO-PART JM PERMAFLASH 30 YEAR MAXIMUM GUARANTEE TERM.

DRAWING NO.

PMF-2S

PENETRATION

SCALE
N.T.S

ISSUE DATE
04-10-24

JM PERMAFLASH ANGLE IRON SCRIM LAYOUT

MEMBRANE TYPE:
JM PERMAFLASH

MAXIMUM GUARANTEE TERM:
20 YEAR / 30 YEAR

Johns Manville is a manufacturer of commercial roofing products and offers this general conceptual information to you as a courtesy for general educational purposes only. This complimentary assistance is not to be either used or relied upon by anyone as a substitute for professional engineering design and documentation required by any building code, contract, or applicable law. By accepting the general conceptual information, you agree it does not constitute any representations, endorsements of, or an assumption by Johns Manville of any duty or liability for either the adequacy of the design of a building, any of its components or the sufficiency of any construction.

