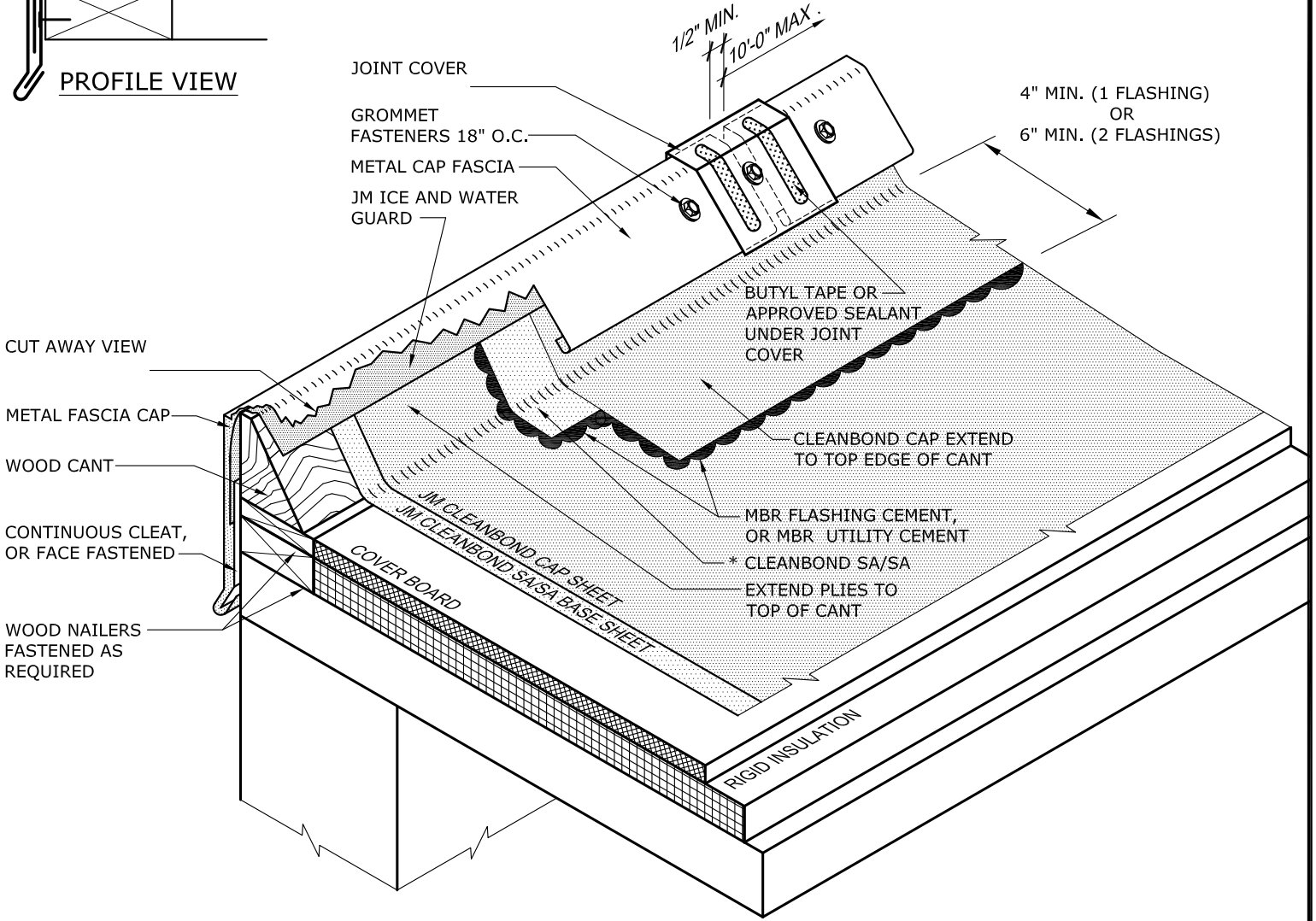


PROFILE VIEW



CUT AWAY VIEW

NOTES:

1. REFER TO JOHNS MANVILLE WEBSITE (www.jm.com) FOR MOST UP-TO-DATE INFORMATION.
2. *AN SBS BACKER PLY EXTENDING 2" MIN. FROM TOE OF CANT IS REQUIRED FOR EXTENDED TERM 25 AND 30 YEAR GUARANTEES.
3. THE TAPERED EDGE STRIP (OPTIONAL), IS USED FOR NON-DRAINING EDGES TO KEEP PONDING WATER OFF THE FLASHING LAPS OR TO TRANSITION SUBSTRATE FLUSH WITH PERIMETER NAILER HEIGHT.
4. ANY CARPENTRY, METAL WORK, OR MASONRY CONSTRUCTION SHOULD BE DESIGNED AND CONSTRUCTED IN ACCORDANCE WITH LOCAL CODE REQUIREMENTS AND/OR PROJECT SPECIFICATIONS. THESE COMPONENTS SHOULD BE REVIEWED AND APPROVED BY A LICENSED DESIGN PROFESSIONAL. CONTACT JM TECHNICAL FOR METAL OPTIONS TO BE INCLUDED WITHIN THE JM NDL GUARANTEE.
5. SHOP FABRICATED GRAVEL STOP SHOULD BE INSTALLED IN ACCORDANCE WITH SMACNA AND/OR NRCA GUIDELINES. LAPS SHALL UTILIZE EITHER APPROVED SPLICE PLATES OR 4" MIN. OVERLAPS WITH APPROVED SEALANT.
6. PLEASE SEE BITUMINOUS FLASHING SPECIFICATIONS FOR A FULL DESCRIPTION OF INSTALLATION INSTRUCTIONS AND REQUIREMENTS WHICH ARE CONSIDERED A PART OF THIS DETAIL.

DRAWING NO.	
CBE-4 (RMCF)	
FLASHING EDGE	
SCALE	ISSUE DATE
N.T.S	12-10-18

ROOF EDGE WITH RAISED METAL CANT FASCIA	
MEMBRANE TYPE:	BUR
MAXIMUM GUARANTEE TERM:	

Johns Manville is a manufacturer of commercial roofing products and offers this general conceptual information to you as a courtesy. This complimentary assistance is not to be used or relied upon by anyone as a substitute for professional engineering design and documentation required by building code, contract, or applicable law. By accepting these comments you agree they do not constitute any representations, endorsements of, or an assumption by Johns Manville of any liability for either the adequacy of the design of this building or any other material not supplied by Johns Manville.

