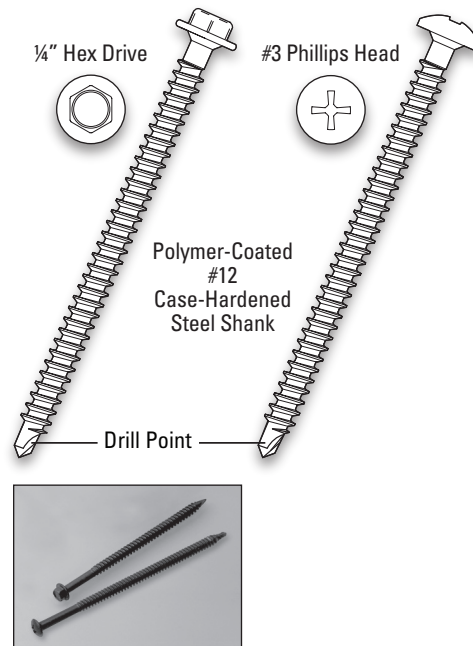


### Features and Components

The UltraFast Fastener is a #12, case-hardened steel, polymer-coated fastener with a buttress thread design that provides maximum pullout values and minimizes fastener backout. Available with either a #3 Phillips head or a ¼" (6.35 mm) hex head. The drill point is designed for quick installation in new or re-roof applications, and provides exceptional drilling capability in higher tensile decks.

- Use:** Insulation
- Material:** Fasteners - Case-Hardened Steel, Polymer-Coated
- Gauge:** #12
- Head:** #3 Phillips Head or ¼" (6.35 mm) Hex Head
- Color:** Blue
- Deck Types:** Wood or 18 - 24 gauge (1.25 mm - 0.51 mm) Metal
- Coating:** CR-10 corrosion resistant factory applied coating passes the corrosion requirements of FM 4470 and ETAG 006



**Component**  
**F**  
 Fastening

**Type**  
**I**  
 Insulation

Multi-Ply  
 Single Ply

**System Compatibility** *This product may be used as a component in the following systems. Please reference product application for specific installation methods and information.*

Multi-Ply	BUR		APP		SBS				
	HA	CA	HW	HA	CA	HW	SA	MF	
<i>Use to fasten insulation in all multi-ply systems</i>									

Single Ply	TPO				PVC			EPDM		
	MF	AD	SA	IW	MF	AD	IW	MF	AD	BA
<i>Use to fasten insulation in the selected single ply systems above</i>										

**Key:** HA = Hot Applied CA = Cold Applied HW = Heat Weldable SA = Self Adhered MF = Mechanically Fastened IW = Induction Weld BA = Ballasted AD = Adhered

### Energy and the Environment

Recycled Content	This steel based product contains a minimum of 25% post consumer recycled materials by weight
------------------	---

### Peak Advantage® Guarantee Information

Systems	Approved to use with any Peak Advantage Guarantee
---------	---

### Codes and Approvals\*



\*Fastener approvals are based on system approvals

### Installation/Application

Refer to the application instructions guidelines for proper utilization of this product.

### Packaging and Dimensions

Fastener Sizes	Quantity/Container
1½" to 8" (4.13 cm to 20.32 cm) (1) #3 Phillips bit in each pail (1) ¼" (6.35 mm) hex head bit per 3 pails	1,000/pail
Producing Locations*	Agawam, MA and Itasca, IL

\*The point of manufacture for fasteners and plates varies depending on the specific part. Call your local JM sales professional for assistance.