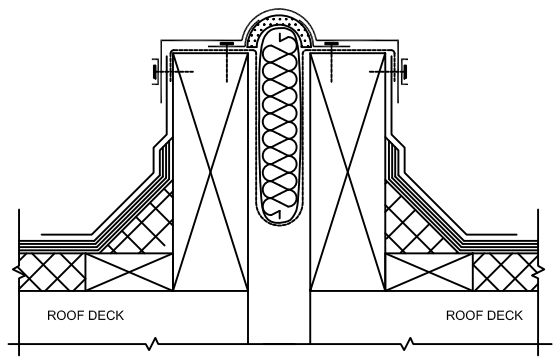


EXPAND-O-FLASH CURB TO CURB EJ/WC STYLE INSTALLATION INSTRUCTIONS



SEE INSTALLATION ADDENDUM 'A' FOR BELLOWS SIZES 18" AND GREATER

STEP 1

APPLY MEMBRANE COMPATIBLE MASTIC TO HORIZONTAL SURFACE OF CURB TO RECEIVE EXPAND-O-FLASH NAILING FLANGE. (INSTALL ONE EXPAND-O-FLASH FLANGE AT A TIME)

MANUFACTURERS APPROVED ROOFING SYSTEM

APPROVED CONTINUOUS WOOD CURB.

JOINT OPENING

APPLY MEMBRANE COMPATIBLE MASTIC ON HORIZONTAL SURFACE OF ROOF CURB TO RECEIVE EXPAND-O-FLASH NAILING FLANGE. INSTALL ONE EXPAND-O-FLASH FLANGE AT A TIME.

STEP 2

FOLD OVER MEMBRANE COVER TO EXPOSE NAILING FLANGE.

MANUFACTURERS APPROVED ROOFING SYSTEM

APPROVED CONTINUOUS WOOD CURB.

JOINT OPENING

SET EXPAND-O-FLASH NAILING FLANGE IN MASTIC AND NAIL FLANGE TO WOOD CURB WITH 1 1/2" ROOFING NAILS @ 4" O.C. START NAILS 1/2" FROM FLANGE END.

SET EXPAND-O-FLASH FLANGE IN MEMBRANE COMPATIBLE MASTIC AND NAIL TO ROOF CURB W/ (1) 1 1/4" ROOF NAIL @ 4" O.C. START NAILS 1/2" FROM FLANGE END. *REPEAT STEPS 1 & 2 FOR OPPOSITE EXPAND-O-FLASH FLANGE, BEING CAREFUL TO ALIGN 2ND FLANGE WITH CURB EDGE TO ALLOW PROPER BELLOW SHAPE.

STEP 3

4" LENGTH OF MEMBRANE FOR SHIPLAP SPLICE, FOLDED BACK.

APPROVED CONTINUOUS WOOD CURB.

MANUFACTURERS APPROVED ROOFING SYSTEM

INSTALL ADDITIONAL LENGTHS OF EXPAND-O-FLASH LEAVING 1/2" GAP BETWEEN ENDS OF EXPAND-O-FLASH SECTIONS.

JOINT OPENING

REPEAT STEPS 1 AND 2 FOR REMAINING SECTIONS OF EXPAND-O-FLASH STYLE EJ/WC BEING SURE TO PROVIDE 1/2" GAP BETWEEN ENDS OF EXPAND-O-FLASH SECTIONS. *WHEN INSTALLING ADDITIONAL SECTIONS OF EXPAND-O-FLASH STYLE EJ/WC BE SURE THE 4" OF MEMBRANE PROVIDED FOR THE SHIPLAP SPLICE IS FOLDED OVER TO THE EXTERIOR.

STEP 4

4" LENGTH OF MEMBRANE FOR SHIPLAP SPLICE, FOLDED BACK.

APPROVED CONTINUOUS WOOD CURB.

MANUFACTURERS APPROVED ROOFING SYSTEM

JOINT OPENING

PRIME MEMBRANE SURFACES TO BE SHIPLAPPED, ON EACH SIDE OF THE 1/2" GAP.

AFTER ALL SECTION OF EXPAND-O-FLASH STYLE EJ/WC ARE INSTALLED, SPLICES CAN BE COMPLETED. USING PROVIDED BRUSH & PRIMER, PRIME BOTH SIDES BELLOWS TO BE SHIPLAPPED. ALLOW PRIMER TO DRY TO TACK FREE. TYP @ EACH SPLICE LOCATION.

STEP 5

FOLD OVER THE 4" LENGTH OF SHIPLAP MEMBRANE AFTER SEAM TAPE IS INSTALLED.

APPROVED CONTINUOUS WOOD CURB.

MANUFACTURERS APPROVED ROOFING SYSTEM

INSTALL THE PROVIDED 3" WIDE SEAM TAPE OVER THE MEMBRANE END TO BE COVERED

JOINT OPENING

INSTALL THE PROVIDED 3" WIDE SEAM TAPE OVER THE MEMBRANE END TO BE COVERED WITH SHIPLAP MEMBRANE. FOLD OVER THE SHIPLAP MEMBRANE ONTO THE SEAM TAPE WHILE PEELING AWAY THE RELEASE PAPER OF THE SEAM TAPE. SMOOTH INTO PLACE. TYP @ EACH SPLICE LOCATION.

STEP 6

MEASURE APPROX. 4 1/2" TO EACH SIDE OF SPLICE LOCATION. USING PROVIDED BRUSH PRIME ELASTOMERIC BELLOWS/COVER. ALLOW PRIMER TO DRY TO TACK FREE.

APPROVED CONTINUOUS WOOD CURB.

MANUFACTURERS APPROVED ROOFING SYSTEM

JOINT OPENING

MEASURE APPROX. 4 1/2" TO EACH SIDE OF SPLICE LOCATION . USING PROVIDED BRUSH & PRIMER, PRIME ELASTOMERIC BELLOWS/COVER. ALLOW PRIMER TO DRY TO TACK FREE. TYP @ EACH SPLICE LOCATION.

STEP 7

INSTALL PROVIDED 9" WIDE PEEL AND STICK SPLICE TAB. REMOVE PAPER BACKING AHEAD OF SPLICE TAB APPLICATION.

APPROVED CONTINUOUS WOOD CURB.

MANUFACTURERS APPROVED ROOFING SYSTEM

JOINT OPENING

INSTALL PROVIDED 9" WIDE PEEL AND STICK SPLICE TAB. REMOVE PAPER BACKING AHEAD OF SPLICE TAB APPLICATION. TYP. @ EACH SPLICE LOCATION

STEP 8

CAULK ALONG THE TOP EDGE OF THE TERMINATION BAR WITH MEMBRANE COMPATIBLE MASTIC.

APPROVED CONTINUOUS WOOD CURB.

MANUFACTURERS APPROVED ROOFING SYSTEM

JOINT OPENING

INSTALL THE PROVIDED TERMINATION BAR ALONG EACH SIDE OF THE MEMBRANE COVER AND ATTACH WITH 1 1/4" NAILS @ 8" O.C.

INSTALL THE PROVIDED TERMINATION BAR ALONG EACH SIDE OF THE MEMBRANE COVER AND ATTACH WITH 1 1/4" NAILS @ 8" O.C. CAULK ALONG THE TOP EDGE OF THE TERMINATION BAR WITH MEMBRANE COMPATIBLE MASTIC.

INSTALLATION ADDENDUM 'A'

EPDM BELLOWS

INTERGRAL METAL NAILING FLANGE

CLOSED CELL FOAM BACKER

REQUIRED FOAM SUPPORT FOR 18" BELLOWS AND GREATER (1" AND THICKER FOAM)

TERMINATION BAR

CONTINUOUS WOOD SUPPORT CURB

ROOFING SYSTEM

INSTALLATION INSTRUCTION NOTES:

- INSTALL ALL FACTORY FABRICATED INTERSECTIONS AND TRANSITIONS FIRST. FOLLOW THE APPROPRIATE STEPS INCLUDED IN THESE INSTALLATION INSTRUCTION FOR THESE ITEMS.
- THE BUILDING/ROOF SURFACES TO WHICH THE EXPAND-O-FLASH IS TO BE INSTALLED SHOULD BE SMOOTH, CLEAN AND FREE OF ANY DIRT AND DEBRIS.
- INSTALL EXPAND-O-FLASH WITH THE FOAM BACKER FACING THE INSIDE OF BUILDING. DO NOT EXPOSE FOAM TO WEATHER.
- SEE INSTALLATION ADDENDUM 'A' ON PAGE 1 FOR BELLOWS SIZES 18" AND GREATER

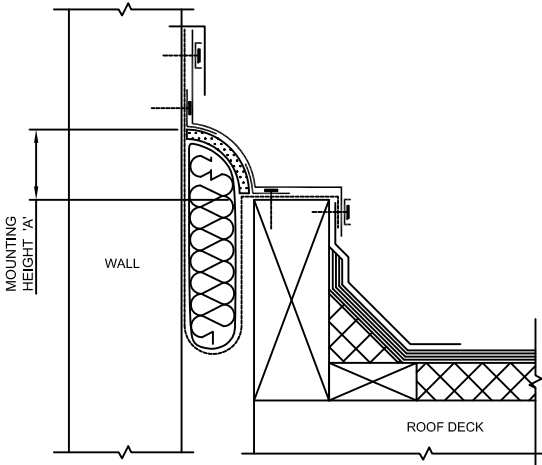
DRAWING NO. INST-EOF-EJWC-RR	SCALE NTS	ISSUE DATE 5/14/12	REV. NO. #1 ON 9/10/18
PAGE 1		CAD FILE: EOF EJWC INSTALLATION INSTRUCTIONS.DWG	

EXPAND-O-FLASH (STYLE EJ/WC; ROOF TO ROOF) INSTALLATION INSTRUCTIONS

Johns Manville is a Manufacturer of commercial roofing products and offers this general conceptual information to you as a courtesy. This complimentary assistance is not to be used or relied upon by anyone as a substitute for professional engineering design and documentation required by building code, contract, or applicable law. By accepting these comments you agree they do not constitute any representations, endorsements of, or an assumption by Johns Manville of any liability for either the adequacy of the design of this building or any other material not supplied by Johns Manville.



**EXPAND-O-FLASH
CURB TO WALL
EJ/WC STYLE
INSTALLATION INSTRUCTIONS**



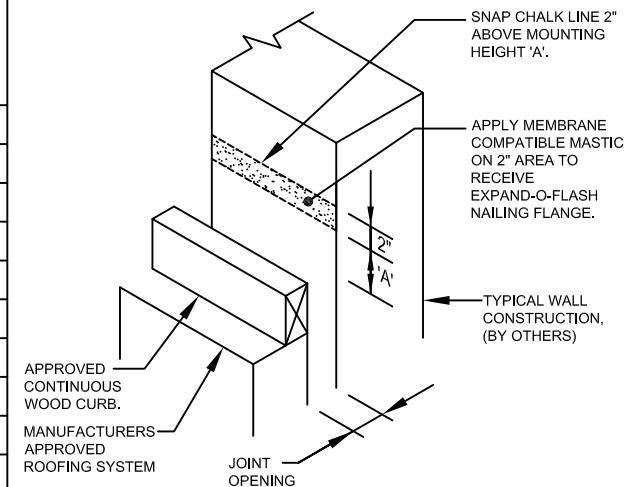
SEE INSTALLATION ADDENDUM 'A' FOR BELLOWS SIZES 18" AND GREATER

MOUNTING HEIGHT 'A'
BELLOWS MOUNTING HEIGHT 'A' FOR ROOF TO WALL ATTACHMENT

BELLOWS WIDTH	MOUNTING HEIGHT 'A'
4"	2 1/2"
6"	3 3/4"
8"	5 1/8"
10"	6 3/8"
12"	7 1/2"
14"	8 3/4"
16"	10 1/4"
18"	11 1/2"
20"	12 3/4"
22"	14"
24"	15 1/4"

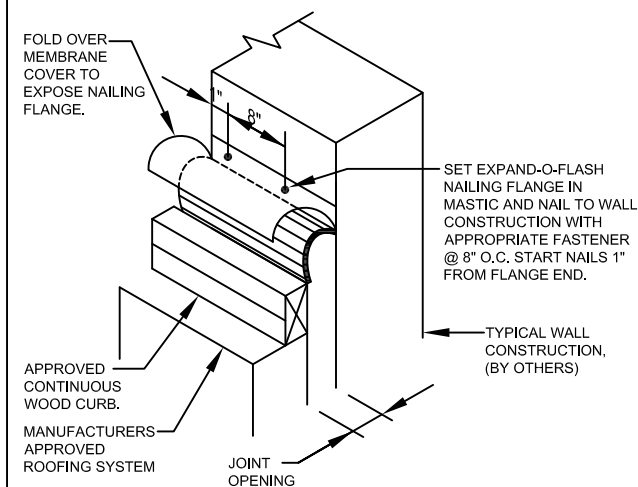
THE MOUNTING HEIGHT PROVIDED ABOVE ARE APPLICABLE FOR ANY CONDITION IN WHICH THE EXPAND-O-FLASH IS BEING MOUNTED IN A ROOF TO WALL CONDITION.

STEP 1



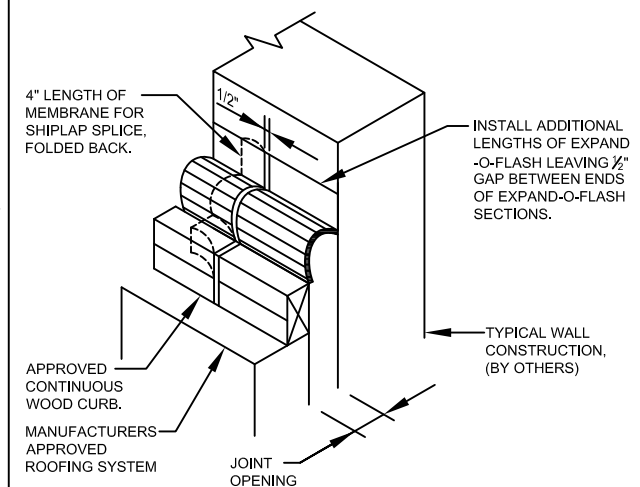
SNAP CHALK LINE 2" ABOVE MOUNTING HEIGHT 'A'. SEE MOUNTING HEIGHT 'A' CHART ON THIS PAGE. APPLY MEMBRANE COMPATIBLE MASTIC ON 2" WIDE AREA TO RECEIVE EXPAND-O-FLASH NAILING FLANGE. *INSTALL CURB SIDE FLANGE IN ACCORDANCE WITH STEPS 1 & 2 OF THE INSTALLATION INSTRUCTIONS ON REVERSE.

STEP 2



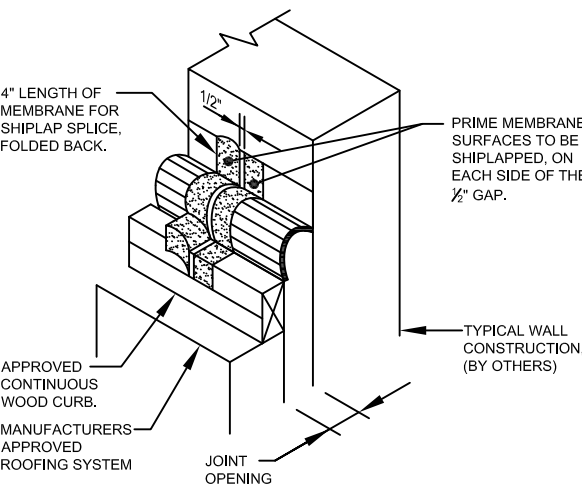
SET EXPAND-O-FLASH NAILING FLANGE IN MEMBRANE COMPATIBLE MASTIC AND NAIL TO WALL CONSTRUCTION W/ (1) FASTENER @ 8" O.C. START NAILS 1" FROM FLANGE END.

STEP 3



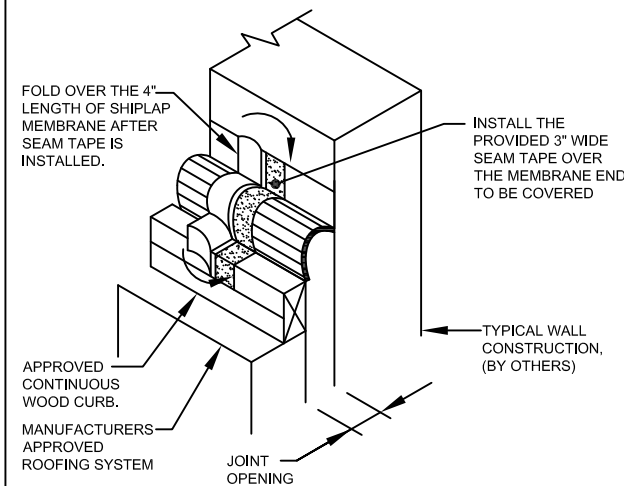
REPEAT STEPS 1 AND 2 FOR REMAINING SECTIONS OF EXPAND-O-FLASH STYLE EJ/WC BEING SURE TO PROVIDE 1/2" GAP BETWEEN ENDS OF EXPAND-O-FLASH SECTIONS. *WHEN INSTALLING ADDITIONAL SECTIONS OF EXPAND-O-FLASH STYLE EJ/WC BE SURE THE 4" OF MEMBRANE PROVIDED FOR THE SHIPLAP SPlice IS FOLDED OVER TO THE EXTERIOR.

STEP 4



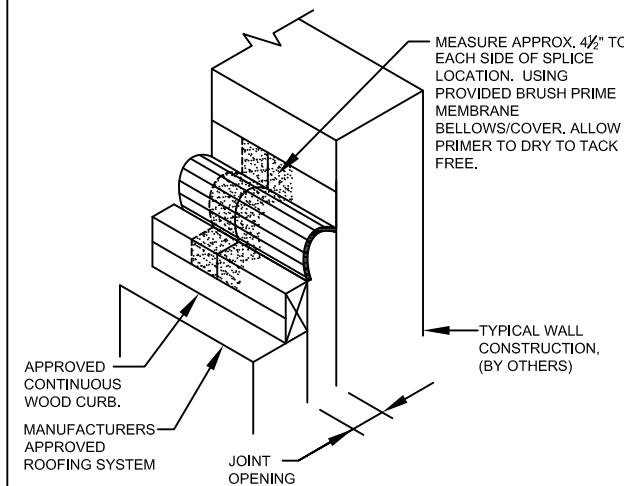
AFTER ALL SECTION OF EXPAND-O-FLASH STYLE EJ/WC ARE INSTALLED, SPLICES CAN BE COMPLETED. USING PROVIDED BRUSH & PRIMER, PRIME BOTH SIDES BELLOWS TO BE SHIPLAPPED. ALLOW PRIMER TO DRY TO TACK FREE. TYPICAL @ EACH SPLICE LOCATION.

STEP 5



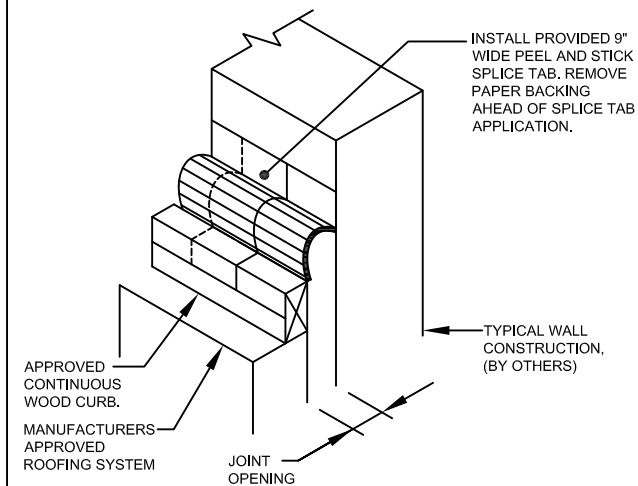
INSTALL THE PROVIDED 3" WIDE SEAM TAPE OVER THE MEMBRANE END TO BE COVERED WITH SHIPLAP MEMBRANE. FOLD OVER THE SHIPLAP MEMBRANE ONTO THE SEAM TAPE WHILE PEELING AWAY THE RELEASE PAPER OF THE SEAM TAPE. SMOOTH INTO PLACE. TYPICAL @ EACH SPLICE LOCATION.

STEP 6



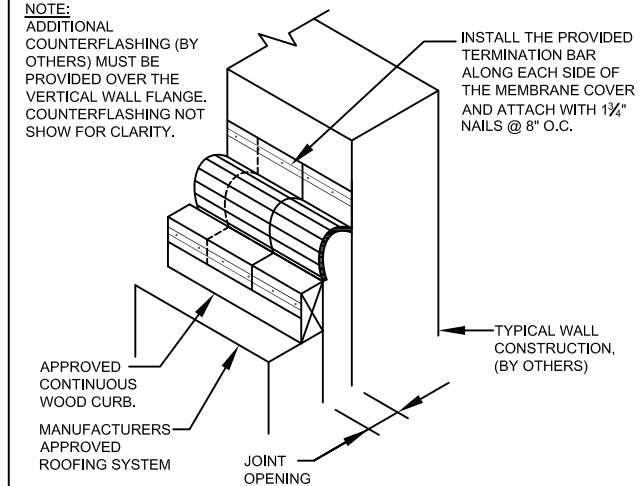
MEASURE APPROX. 4 1/2" TO EACH SIDE OF SPLICE LOCATION. USING PROVIDED BRUSH & PRIMER, PRIME MEMBRANE BELLOWS/COVER. ALLOW PRIMER TO DRY TO TACK FREE. TYPICAL @ EACH SPLICE LOCATION.

STEP 7



INSTALL PROVIDED 9" WIDE PEEL AND STICK SPLICE TAB. REMOVE PAPER BACKING AHEAD OF SPLICE TAB APPLICATION. TYPICAL @ EACH SPLICE LOCATION

STEP 8



INSTALL THE PROVIDED TERMINATION BAR ALONG EACH SIDE OF THE MEMBRANE COVER AND ATTACH WITH APPROPRIATE FASTENERS @ 8" O.C. CAULK ALONG THE TOP EDGE OF THE TERMINATION BAR WITH MEMBRANE COMPATIBLE MASTIC.

INSTALLATION INSTRUCTION NOTES:

- INSTALL ALL FACTORY FABRICATED INTERSECTIONS AND TRANSITIONS FIRST. FOLLOW THE APPROPRIATE STEPS INCLUDED IN THESE INSTALLATION INSTRUCTION FOR THESE ITEMS.
- THE BUILDING/ROOF SURFACES TO WHICH THE EXPAND-O-FLASH IS TO BE INSTALLED SHOULD BE SMOOTH, CLEAN AND FREE OF ANY DIRT AND DEBRIS.
- INSTALL EXPAND-O-FLASH WITH THE FOAM BACKER FACING THE INSIDE OF BUILDING. DO NOT EXPOSE FOAM TO WEATHER.
- SEE INSTALLATION ADDENDUM 'A' ON PAGE 1 FOR BELLOWS SIZES 18" AND GREATER

DRAWING NO. INST-EOF-EJWC-RW	SCALE NTS	ISSUE DATE 5/14/12	REV. NO. #1 ON 9/10/18
--	--------------	-----------------------	---------------------------

CAD FILE:
EOF EJWC INSTALLATION INSTRUCTIONS.DWG

EXPAND-O-FLASH (STYLE EJ/WC; ROOF TO WALL) INSTALLATION INSTRUCTIONS

Johns Manville is a Manufacturer of commercial roofing products and offers this general conceptual information to you as a courtesy. This complimentary assistance is not to be used or relied upon by anyone as a substitute for professional engineering design and documentation required by building code, contract, or applicable law. By accepting these comments you agree they do not constitute any representations, endorsements of, or an assumption by Johns Manville of any liability for either the adequacy of the design of this building or any other material not supplied by Johns Manville.

