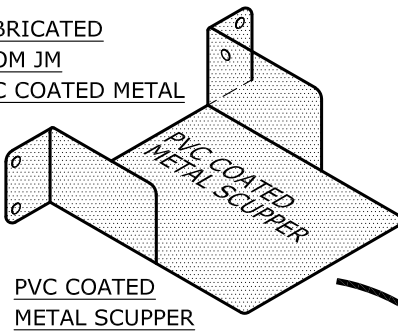


FABRICATED FROM JM PVC COATED METAL



PVC COATED METAL SCUPPER

SET SCUPPER FLANGES INTO BED OF JM SINGLE PLY SEALING MASTIC

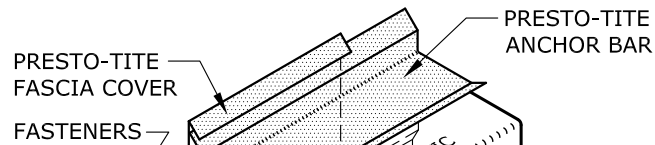
RUN JM PVC MEMBRANE UP & OVER WOOD BLOCKING

CLEAT FASTENED PER SMACNA, NRCA OR JM SPECIFICATIONS

JM PVC WALL FLASHING

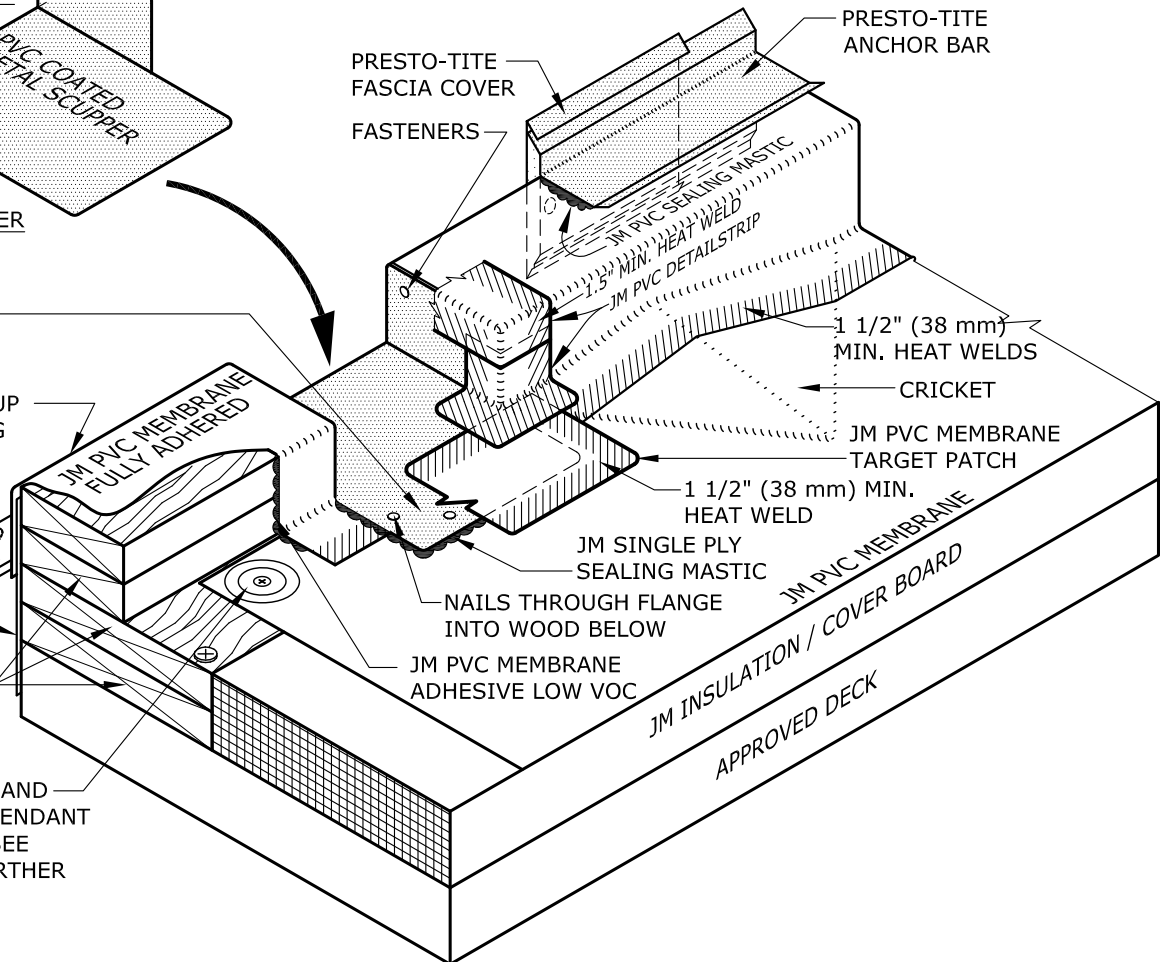
WOOD BLOCKING AS REQUIRED FASTENED TO DECK

JM APPROVED FASTENER AND PLATE—PENETRATION DEPENDANT ON DECK MATERIAL(S). SEE SPECIFICATIONS FOR FURTHER INFORMATION



PRESTO-TITE FASCIA COVER FASTENERS

PRESTO-TITE ANCHOR BAR



1 1/2" (38 mm) MIN. HEAT WELDS

CRICKET

JM PVC MEMBRANE TARGET PATCH

1 1/2" (38 mm) MIN. HEAT WELD

JM SINGLE PLY SEALING MASTIC

NAILS THROUGH FLANGE INTO WOOD BELOW

JM PVC MEMBRANE ADHESIVE LOW VOC

JM PVC MEMBRANE  
JM INSULATION / COVER BOARD  
APPROVED DECK

**NOTES:**

1. REFER TO JOHNS MANVILLE WEBSITE ([www.jm.com](http://www.jm.com)) FOR MOST UP TO DATE INFORMATION.
2. PLEASE SEE SINGLE PLY FLASHING SPECIFICATIONS FOR A FULL DESCRIPTION OF INSTALLATION INSTRUCTIONS AND REQUIREMENTS WHICH ARE CONSIDERED A PART OF THIS DETAIL.
3. ANY CARPENTRY OR METAL WORK SHOULD BE DESIGNED AND CONSTRUCTED IN ACCORDANCE WITH LOCAL CODE REQUIREMENTS AND/OR PROJECT SPECIFICATIONS. THESE COMPONENTS SHOULD BE REVIEWED AND APPROVED BY A LICENSED DESIGN PROFESSIONAL.
4. JM PVC SEALANT IS OPTIONAL ON ALL CUT OR NON-ENCAPSULATED EDGES OF REINFORCED MEMBRANE. THIS INCLUDES FACTORY CUT MEMBRANE (SEE DETAIL P-MS-01).

DRAWING NO.

**P-DV-05**

DRAINS & VENTS

**LOW WALL PRIMARY SCUPPER FLASHING**

MEMBRANE TYPE:  
JM PVC

SCALE  
N.T.S

ISSUE DATE  
08-07-19

MAXIMUM GUARANTEE TERM:  
30 YEAR

Johns Manville is a manufacturer of commercial roofing products and offers this general conceptual information to you as a courtesy. This complimentary assistance is not to be used or relied upon by anyone as a substitute for professional engineering design and documentation required by building code, contract, or applicable law. By accepting these comments you agree they do not constitute any representations, endorsements of, or an assumption by Johns Manville of any liability for either the adequacy of the design of this building or any other material not supplied by Johns Manville.

