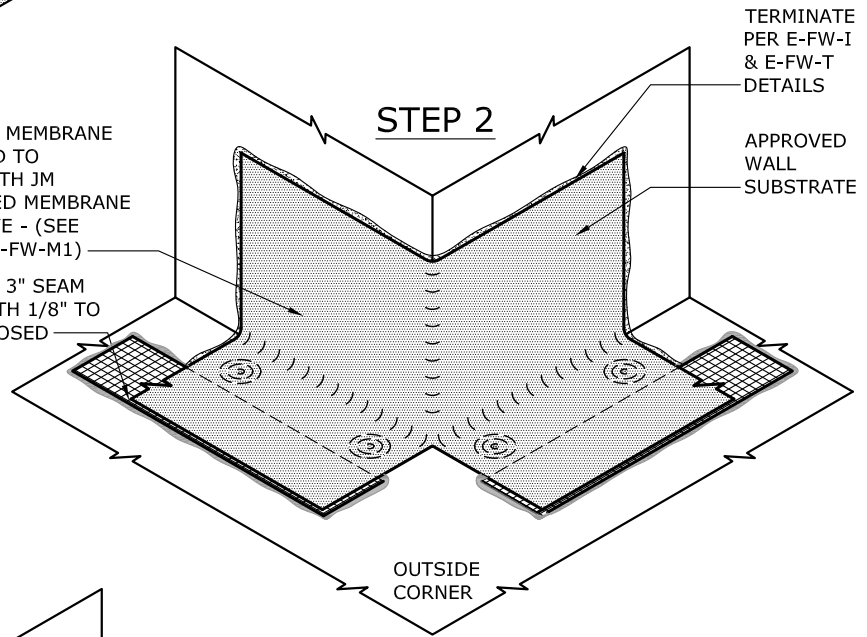


FIELD MEMBRANE
STOPS AT WALL

JM APPROVED FASTENER &
PLATE 12" (304 mm) O.C.
MAX. - PENETRATION
DEPENDANT ON DECK MATERIAL(S).
SEE SPECIFICATIONS FOR
FURTHER INFORMATION

JM EPDM 3" SEAM TAPE

JM EPDM TAPE PRIMER ON
ALL SURFACES COMING INTO
CONTACT WITH EPDM SEAM TAPE



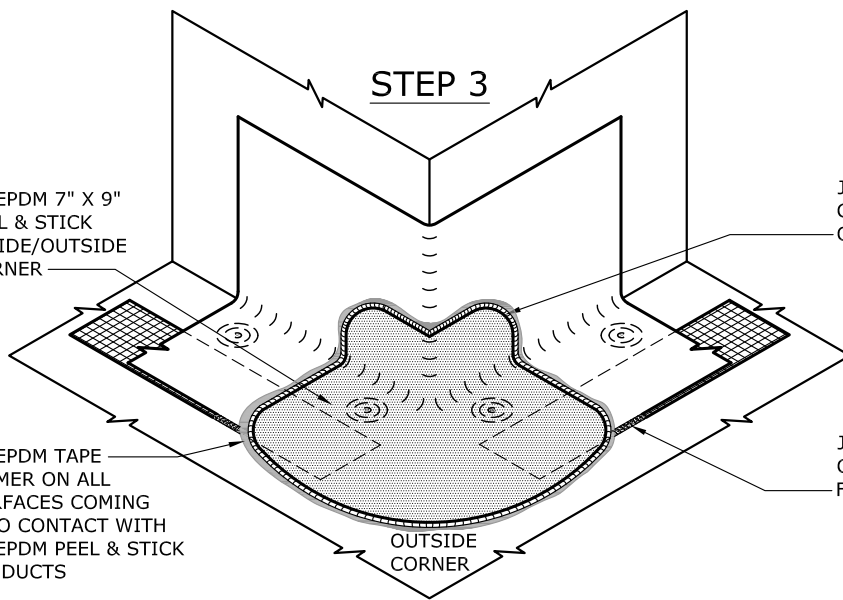
JM EPDM MEMBRANE
ADHERED TO
WALL WITH JM
APPROVED MEMBRANE
ADHESIVE - (SEE
DETAIL E-FW-M1)

JM EPDM 3" SEAM
TAPE WITH 1/8" TO
1/4" EXPOSED

TERMINATE
PER E-FW-I
& E-FW-T
DETAILS

APPROVED
WALL
SUBSTRATE

NOTE:
JM EPDM TAPE PRIMER OR JM
SINGLE PLY MEMBRANE PRIMER
(LOW VOC) MUST BE APPLIED TO
ALL SURFACES COMING INTO
CONTACT WITH JM EPDM PEEL &
STICK FLASHINGS



JM EPDM 7" X 9"
PEEL & STICK
INSIDE/OUTSIDE
CORNER

JM SINGLE PLY LVOC
CAULK AROUND EDGE
OF CORNER

JM EPDM TAPE
PRIMER ON ALL
SURFACES COMING
INTO CONTACT WITH
JM EPDM PEEL & STICK
PRODUCTS

JM EPDM LAP
CAULK 3" (76 mm) UP
FROM CORNER

DRAWING NO.

E-FC-09

NEW DETAIL

SCALE
N.T.S

ISSUE DATE
7-10-17

EPDM OUTSIDE CORNER WITH SEAM TAPE

MEMBRANE TYPE:
JM EPDM

MAXIMUM GUARANTEE TERM:
20 YEAR

Johns Manville is a manufacturer of commercial roofing products and offers this general conceptual information to you as a courtesy. This complimentary assistance is not to be used or relied upon by anyone as a substitute for professional engineering design and documentation required by building code, contract, or applicable law. By accepting these comments you agree they do not constitute any representations, endorsements of, or an assumption by Johns Manville of any liability for either the adequacy of the design of this building or any other material not supplied by Johns Manville.

