

Features and Components

UltraFast Locking Plastic Plates are 3" (7.62 cm) round, high strength polypropylene plates with a special locking feature.

UltraFast Metal Plates are 3" (7.62 mm) round or square, premium Galvalume®*-coated steel metal plates.

Use: Insulation

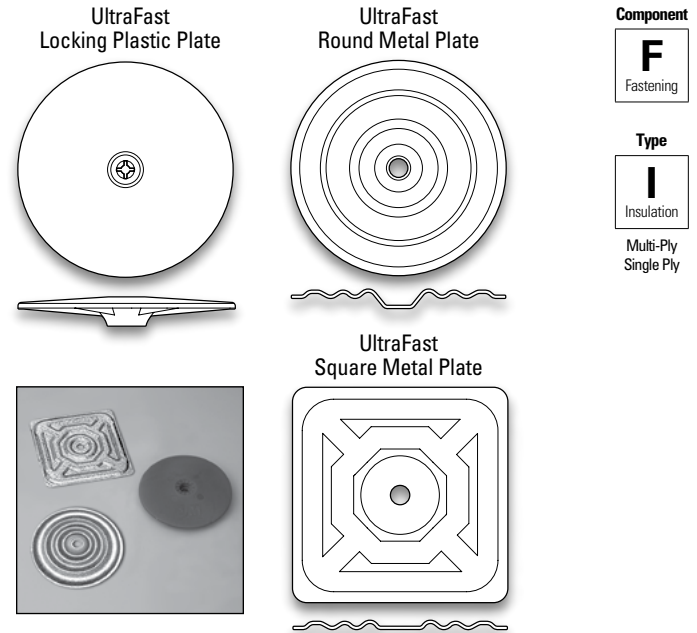
Material: Plates - Galvalume-Coated Steel or High Strength Polypropylene

Gauge: 26 Gauge Steel

Plates: 3" (7.62 cm) Round Locking Plastic & Round or Square Metal

Colors: Grey (metal plates), Blue (plastic plates)

* Galvalume is a registered trademark of BIEC International, Inc. and some of its licensed producers.



System Compatibility *This product may be used as a component in the following systems. Please reference product application for specific installation methods and information.*

Multi-Ply	BUR		APP		SBS				
	HA	CA	CA	HW	HA	CA	HW	CA	MF
Use to fasten Insulation in all Multi-Ply systems									

Single Ply	TPO		PVC		EPDM		
	MF	FA	MF	FA	MF	FA	BA
Use to fasten Insulation in the selected Single Ply systems above							

Key: HA = Hot Applied CA = Cold Applied HW = Heat Weldable SA = Self Adhered MF = Mechanically Fastened FA = Fully Adhered BA = Ballasted

Energy and the Environment

Recycled Content	This steel based product contains a minimum of 25% post consumer recycled materials by weight
------------------	---

Peak Advantage® Guarantee Information

Systems	Approved to use with any Peak Advantage Guarantee
---------	---

Codes and Approvals*



*Fastener approvals are based on system approvals

Installation/Application

Refer to the application instructions guidelines for proper utilization of this product.

Packaging and Dimensions

Plate Sizes	Quantity/Container
3" Metal Round or Square, 1,000/pail 3" Plastic Round, 1,000/pail	1,000/pail
Producing Locations*	Agawam, MA and Itasca, IL

* The point of manufacture for fasteners and plates varies depending on the specific part. Call your local JM sales professional for assistance.