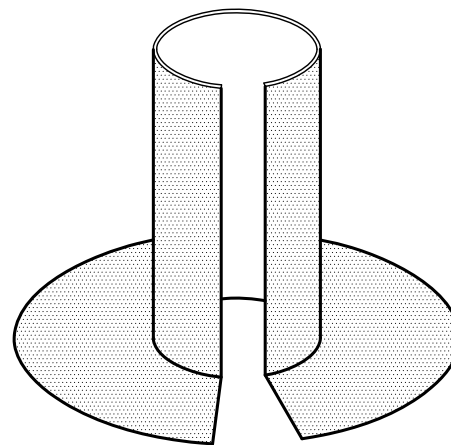
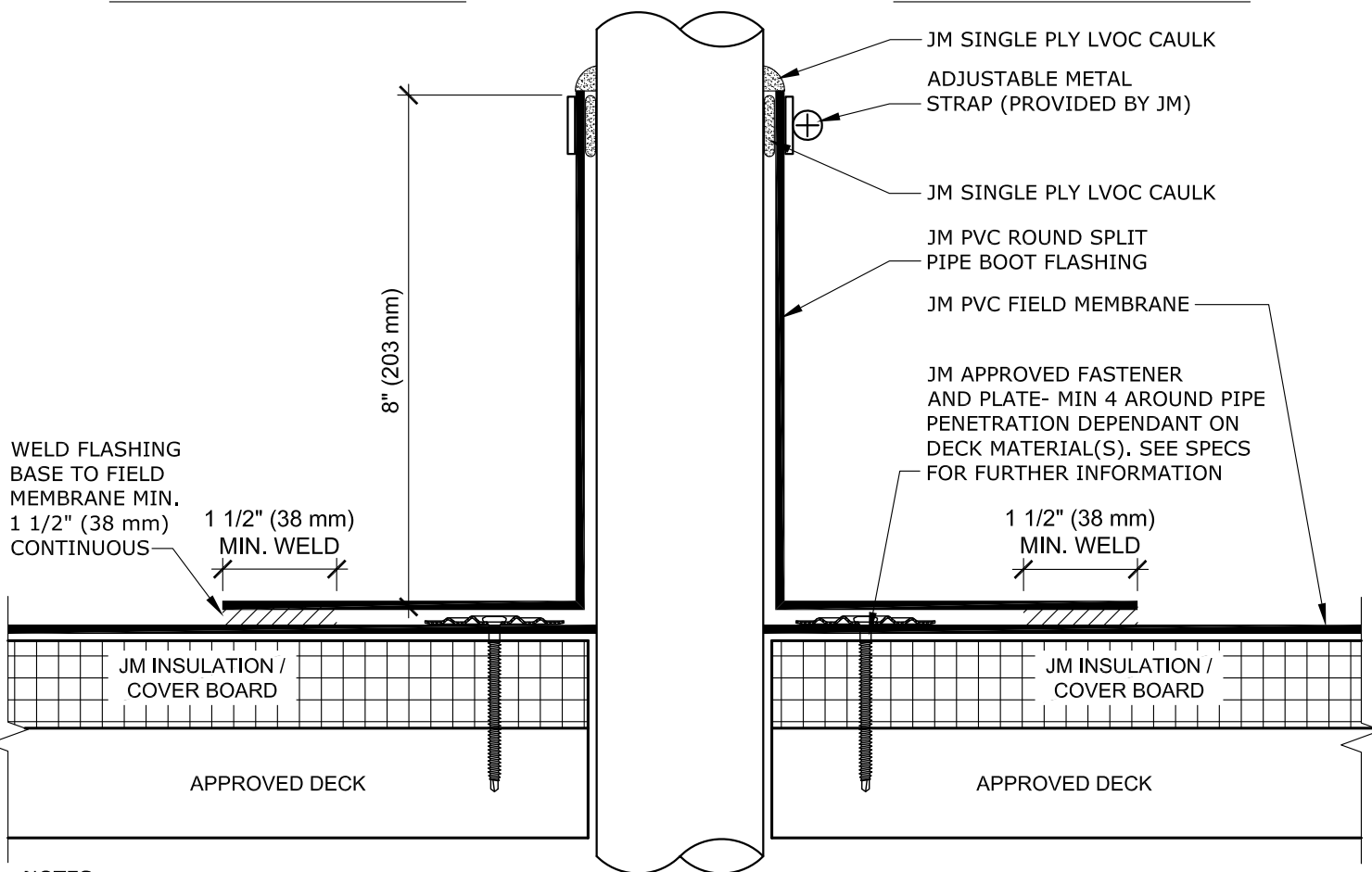


**INSTALLED BOOT
ISOMETRIC VIEW**



**UNINSTALLED BOOT
ISOMETRIC VIEW**



NOTES:

1. REFER TO JOHNS MANVILLE WEBSITE (www.jm.com) FOR MOST UP-TO-DATE INFORMATION.
2. ANY CARPENTRY OR METAL WORK SHOULD BE DESIGNED AND CONSTRUCTED IN ACCORDANCE WITH LOCAL CODE REQUIREMENTS AND/OR PROJECT SPECIFICATIONS. THESE COMPONENTS SHOULD BE REVIEWED AND APPROVED BY A LICENSED DESIGN PROFESSIONAL.
3. STANDARD JM ROUND SPLIT PIPE BOOT SIZES ARE 1", 2", 3", 4", 5" & 6".
4. JM PVC EDGE SEALANT IS OPTIONAL ON CUT OR NON ENCAPSULATED EDGES OF PVC REINFORCED MEMBRANE. THIS INCLUDES FACTORY CUT MEMBRANE.

DRAWING NO.

P-FP-03

PVC SPLIT PIPE BOOT (ROUND)

PENETRATION

MEMBRANE TYPE:
JM PVC

SCALE
N.T.S

ISSUE DATE
10-25-23

MAXIMUM GUARANTEE TERM:
20 YEAR

Johns Manville is a manufacturer of commercial roofing products and offers this general conceptual information to you as a courtesy for general educational purposes only. This complimentary assistance is not to be either used or relied upon by anyone as a substitute for professional engineering design and documentation required by any building code, contract, or applicable law. By accepting the general conceptual information, you agree it does not constitute any representations, endorsements of, or an assumption by Johns Manville of any duty or liability for either the adequacy of the design of a building, any of its components or the sufficiency of any construction.

