

Features and Components

A high performance edge treatment for fully adhered or mechanically fastened single ply roof projects. Nonpenetrating design allows for vertical face attachment without penetrating the horizontal flange, and eliminates the need to strip-in the deck flange, eliminating potential delamination between the adhesive and metal deck flange due to thermal expansion and contraction forces. Provides maximum protection against wind uplift damage.

Anchor Bars: 12' (3.7 m) lengths, extruded 6063-T6 alloy aluminum, preslotted 12" (30.48 cm) o.c.

Fasteners: Stainless Steel #9 x 2" (5.08 cm) fasteners with hexagonal head and driver bit are furnished. Masonry fasteners available upon request.

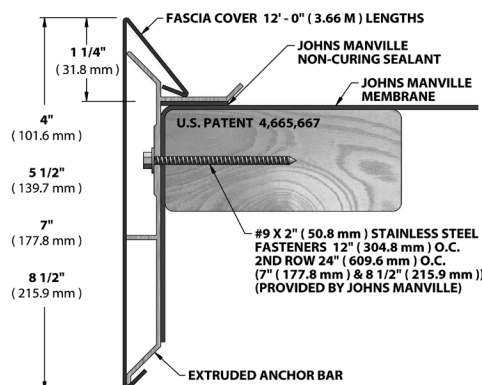
Fascia Cover: Snap-On covers in 12' (3.7 m) lengths, available in 24 ga. (0.6 mm) steel and 0.040" (1.02 mm) aluminum, other metals available upon request. Factory "notched" to provide a 1" (2.54 cm) lap joint.

Anchor Bar Splice Plates: Provided compression gasket allows for thermal movement of the fascia systems.

Finishes: Steel and aluminum available in a number of standard Kynar®* 500 colors, aluminum also available in mill and anodized finishes. Custom colors available upon request.

Accessories: Factory-welded anchor corners, overflow and spillout scuppers, downspout sumps, radius and special angles, extenders and soffit clip systems are also available.

*Kynar® is a registered trademark of Arkema, Inc.



Component

S
Specialty

Single Ply

Type

EM
Edge Metal

Style	Face Height	Coverage Dimension
PF-40	4" (102 mm)	2.75" (70 mm)
PF-55	5.5" (140 mm)	4.25" (108 mm)
PF-70	7" (178 mm)	5.75" (146 mm)
PF-85	8.5" (216 mm)	7.25" (184 mm)



System Compatibility This product may be used as a component in the following systems. Please reference product application for specific installation methods and information.

Multi-Ply	BUR		APP			SBS			
	HA	CA	HW	HA	CA	HW	SA	MF	
<i>Do not use in Multi-Ply systems</i>									

Single Ply	TPO				PVC			EPDM		
	MF	AD	SA	IW	MF	AD	IW	MF	AD	BA
<i>Compatible with all Single Ply systems</i>										

Key: HA = Hot Applied CA = Cold Applied HW = Heat Weldable SA = Self Adhered MF = Mechanically Fastened IW = Induction Weld BA = Ballasted AD = Adhered

Energy and the Environment

Pre-Consumer Recycled Content	Varies by cover material
Post-Consumer Recycled Content	Varies by cover material

Peak Advantage® Guarantee Information

Covered under the JM Peak Advantage Guarantee when installed in a JM approved roofing system.

Codes and Approvals



- FM Global 1-645 approved.
- Meets ANSI/SPRI ES-1-2003 "Wind Design Standards" to a pressure of 290 lb/ft².

Refer to the Safety Data Sheet and product label prior to using this product. The Safety Data Sheet is available by calling (800) 922-5922 or on the Web at www.jm.com/roofing.

Installation/Application

Refer to JM applicator guides or detail drawings for instructions.

Sizes/Dimensions/Finishes

Anchor Bars	12" (30.48 cm) wide, extruded 6063-T6 alloy aluminum, preslotted 12" (30.48 cm) o.c.
Fasteners	#9 x 2" (5.08 cm) with hexagonal head, with furnished driver bit
Fascia Cover	12' (3.7 m) lengths, 4" (102 mm), 5.5" (140 mm), 7" (178 mm), and 8.5" (216 mm) fascia heights Available in any combination of the following gauges and finishes: Aluminum gauge: 0.040" (1.02 mm) Steel gauge: 24 gauge (0.61 mm) Aluminum finishes: Mill, Kynar 500, Clear or Colored Anodized Steel finishes: Kynar 500
Anchor Bar Splice Plates	Closed cell compression gasket provided
Producing Location	Waukesha, WI