

SLIDE FACEPLATE OVER SCUPPER SLEEVE (SEE SECTION BELOW)

TOP HEM FILLED WITH CAULK, SEAL ALL SIDES
 GALVANIZED METAL FACE PLATE INSTALLED OVER SCUPPER SLEEVE PINNED & SEALED TO EXTERIOR WALL

FACEPLATE ON EXTERIOR WALL

EXTEND FLASHING INTO SCUPPER OPENING

BACKER ROD & CAULK AT ALL 4 SIDES OF SLEEVE

SCUPPER SLEEVE THROUGH WALL

BOTTOM HEM
 FASTEN SCUPPER TO WALL THROUGH JM EPDM WALL FLASHING (NOT SHOWN)

WOOD NAILER SECURED TO DECK UNDER SCUPPER FLANGE. ADD WOOD UNDER FLANGE AND CORED HOLE AS REQUIRED

NAIL FLANGE OF SCUPPER THROUGH FIELD MEMBRANE INTO WOOD NAILER BELOW WITH RING SHANK NAILS 3" (76 mm) O.C. STAGGERED

ATTACH AND TERMINATE WALL FLASHING ACCORDING TO WALL DETAIL

JM EPDM WALL FLASHING

JM EPDM PEEL & STICK FLASHING OVER SCUPPER

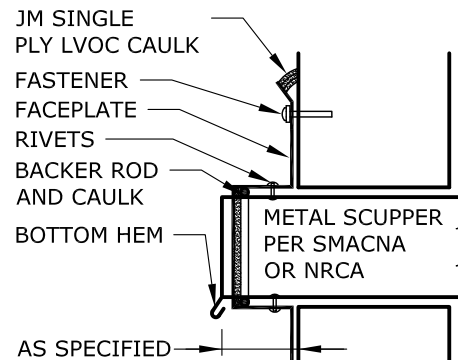
JM EPDM PEEL & STICK FLASHING PATCHES OVER ALL 4 CORNERS OF SCUPPER

JM SINGLE PLY LVOC CAULK ALONG ALL EPDM MEMBRANE FLASHING EDGES IF REQUIRED

JM EPDM TAPE PRIMER SEE NOTE 4

SET FLANGE INTO BED OF JM SINGLE PLY SEALING MASTIC

JM EPDM MEMBRANE
 JM INSULATION / COVER BOARD
 APPROVED DECK



SCUPPER SECTION A EXTERIOR WALL

NOTES:

1. REFER TO JOHNS MANVILLE WEBSITE (www.jm.com) FOR MOST UP-TO-DATE INFORMATION.
2. PLEASE SEE SINGLE PLY FLASHING SPECIFICATIONS FOR A FULL DESCRIPTION OF INSTALLATION INSTRUCTIONS AND REQUIREMENTS WHICH ARE CONSIDERED A PART OF THIS DETAIL.
3. ANY CARPENTRY OR METAL WORK SHOULD BE DESIGNED AND CONSTRUCTED IN ACCORDANCE WITH LOCAL CODE REQUIREMENTS AND/OR PROJECT SPECIFICATIONS. THESE COMPONENTS SHOULD BE REVIEWED AND APPROVED BY A LICENSED DESIGN PROFESSIONAL.
4. JM EPDM TAPE PRIMER OR JM SINGLE PLY MEMBRANE PRIMER (LOW VOC) MUST BE APPLIED ON ALL SURFACES COMING INTO CONTACT WITH JM EPDM SEAM TAPE. ROLL MEMBRANE WITH HAND ROLLER UNDER PRESSURE AT SEAM.
5. ALL SEALANTS / CAULKING SHALL BE PERIODICALLY INSPECTED AND MAINTAINED BY THE BUILDING OWNER THROUGHOUT THE LIFE OF THE ROOF.

DRAWING NO.

E-DV-07

OVERFLOW SCUPPER

REPLACES EM-8

MEMBRANE TYPE:
 JM EPDM

SCALE
 N.T.S

ISSUE DATE
 1-11-17

MAXIMUM GUARANTEE TERM:
 20 YEAR

Johns Manville is a manufacturer of commercial roofing products and offers this general conceptual information to you as a courtesy. This complimentary assistance is not to be used or relied upon by anyone as a substitute for professional engineering design and documentation required by building code, contract, or applicable law. By accepting these comments you agree they do not constitute any representations, endorsements of, or an assumption by Johns Manville of any liability for either the adequacy of the design of this building or any other material not supplied by Johns Manville.

