



SBS DynaFast®

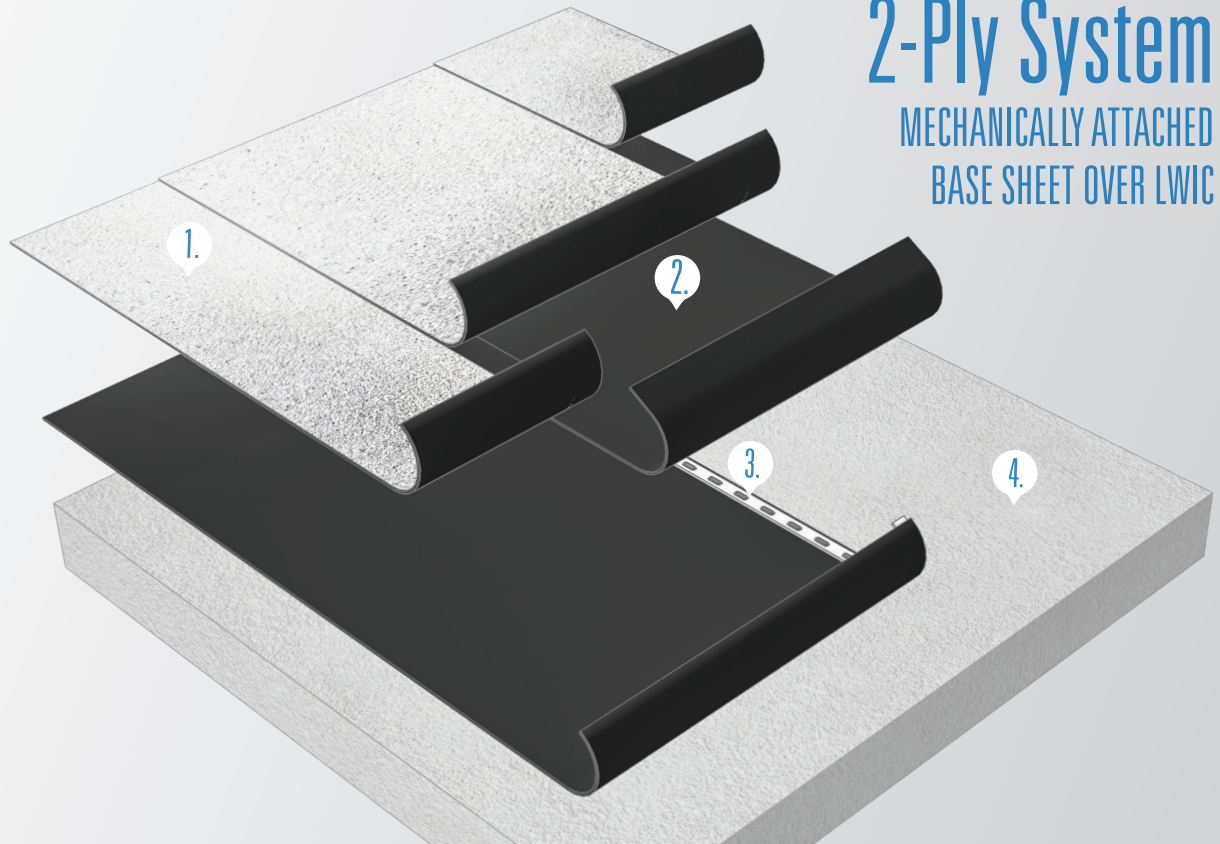
GET IN THE DRY FASTER USING A FASTENED BASE PLY WITH HEAT-WELDED SEAMS
LWIC OVER STEEL OR CONCRETE (NEW, RE-ROOF OR RE-COVER)

SYSTEM TYPE D: MECHANICALLY ATTACHED BASE SHEET, BONDED ROOF COVER

- 1. Cap Sheet
- 2. Base Sheet
- 3. Membrane Batten Bar
- 4. Lightweight Insulated Concrete (LWIC)

2-Ply System

MECHANICALLY ATTACHED
BASE SHEET OVER LWIC



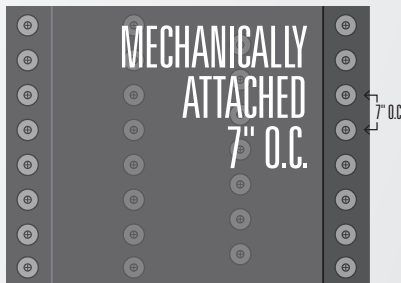
Heat Weld



Mechanically Fastened

Fewer fasteners, no matter the wind conditions, high or low.

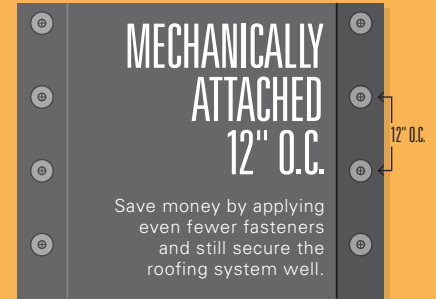
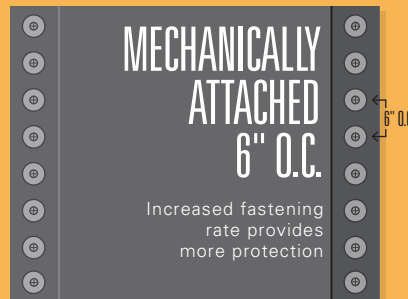
STANDARD BASE SHEETS



TRADITIONAL FASTENING PATTERN

SBS DYNAFAST SHEETS

These approvals must be attached into the structural deck.



← INCREASED PRESSURE RATINGS (FAST)

LESS LABOR (FASTER) →



JM SBS DynaFast

approved codes include



MECHANICALLY FASTENED LIGHTWEIGHT CONCRETE ASSEMBLIES OVER STEEL DECK (NEW OR EXISTING)

SYSTEM NO.	LWIC	BASE SHEET OR INSULATION	BASE SHEET OR INSULATION ATTACHMENT	PLY SHEET (OPTIONAL)	CAP SHEET	TESTED PRESSURE <small>(FOR MDPE DIVIDE BY TWO)</small>
LS-M-5	Min. 375 psi Elastizell with Zell-Crete Fibers	DynaFast 180 HW or DynaFast 250 HW	Min. 1.8-inch Twin-Loc Nails and Straight Line Batten Bar spaced 9-inch o.c. within the 4-inch-wide heat-welded side laps	HW SBS Ply (Min. 4-inch side laps)	HW SBS Cap (Min. 4-inch side laps)	-75
LS-M-6	Min. 375 psi Elastizell with Zell-Crete Fibers	DynaFast 180 S	Min. 1.8-inch Twin-Loc Nails and Straight Line Batten Bar spaced 9-inch o.c. within the 4-inch-wide heat-welded side laps	CA SBS BUR Ply, HA SBS BUR Ply or HW SBS Ply (Min. 4-inch side laps)	CA SBS Cap, HA SBS Cap or HW SBS Cap (Min. 4-inch side laps)	-75
LS-M-18	Min. 400 psi Celcore MF with HS Rheology Admixture and Celcore S-1	DynaFast 180 HW, DynaFast 180 S or DynaFast 250 HW	Min. 1.8-inch Twin-Loc Nails and Straight Line Batten Bar spaced 6-inch o.c. within the 4-inch-wide heat-welded side laps	HW SBS Ply (Min. 4-inch side laps)	HW SBS Cap (Min. 4-inch side laps)	-105
LS-M-19	Min. 400 psi Celcore MF with HS Rheology Admixture and Celcore S-1	DynaFast 180 S	Min. 1.8-inch Twin-Loc Nails and Straight Line Batten Bar spaced 6-inch o.c. within the 4-inch-wide heat-welded side laps	CA SBS BUR Ply, HA SBS BUR Ply or HW SBS Ply (Min. 4-inch side laps)	CA SBS Cap, HA SBS Cap or HW SBS Cap (Min. 4-inch side laps)	-105
LS-M-21	Min. 400 psi Elastizell with Zell-Crete Fibers	DynaFast 180 HW or DynaFast 250 HW	HL Fasteners and Plates spaced 12-inch o.c. within min. 5-inch heat-welded side laps (All high-load fasteners must be fastened through the structural deck below the LWC)	HW SBS Ply (Min. 4-inch side laps)	HW SBS Cap (Min. 4-inch side laps)	-120
LS-M-22	Min. 400 psi Elastizell with Zell-Crete Fibers	DynaFast 180 S	HL Fasteners and Plates spaced 12-inch o.c. within min. 5-inch heat-welded side laps (All high-load fasteners must be fastened through the structural deck below the LWC)	CA SBS BUR Ply, HA SBS BUR Ply or HW SBS Ply (Min. 4-inch side laps)	CA SBS Cap, HA SBS Cap or HW SBS Cap (Min. 4-inch side laps)	-120
LS-M-23	Min. 475 psi Celcore MF with HS Rheology Admixture	DynaFast 180 HW, DynaFast 180 S or DynaFast 250 HW	Min. 1.8-inch Twin-Loc Nails and Straight Line Batten Bar spaced 6-inch o.c. within the 4-inch-wide heat-welded side laps	HW SBS Ply (Min. 4-inch side laps)	HW SBS Cap (Min. 4-inch side laps)	-120
LS-M-24	Min. 475 psi Celcore MF with HS Rheology Admixture	DynaFast 180 S	Min. 1.8-inch Twin-Loc Nails and Straight Line Batten Bar spaced 6-inch o.c. within the 4-inch-wide heat-welded side laps	CA SBS BUR Ply, HA SBS BUR Ply or HW SBS Ply (Min. 4-inch side laps)	CA SBS Cap, HA SBS Cap or HW SBS Cap (Min. 4-inch side laps)	-120

MECHANICALLY FASTENED LIGHTWEIGHT CONCRETE ASSEMBLIES OVER CONCRETE DECK (NEW OR EXISTING)

SYSTEM NO.	VAPOR BARRIER (OPTIONAL)	LWIC	BASE SHEET OR INSULATION	BASE SHEET OR INSULATION ATTACHMENT	PLY SHEET (OPTIONAL)	CAP SHEET	TESTED PRESSURE <small>(FOR MDPE DIVIDE BY TWO)</small>
LC-M-5	DynaBase® HW over ASTM D 41 primed concrete	Min. 375 psi Elastizell with Zell-Crete Fibers	DynaFast 180 HW or DynaFast 250 HW	Min. 1.8-inch Twin-Loc Nails and Straight Line Batten Bar spaced 9-inch o.c. within the 4-inch-wide heat-welded side laps (All high load fasteners must be fastened into the structural deck below the LWC)	HW SBS Ply (Min. 4-inch side laps)	HW SBS Cap (Min. 4-inch side laps)	-75
LC-M-18	SBS HW VB	Min. 414 psi Celcore MF with HS Rheology Admixture and Celcore S-1	DynaFast 180 HW, DynaFast 180 S or DynaFast 250 HW	Min. 1.8-inch Twin-Loc Nails and Straight Line Batten Bar spaced 6-inch o.c. within the 4-inch-wide heat-welded side laps	HW SBS Ply (Min. 4-inch side laps)	HW SBS Cap (Min. 4-inch side laps)	-105
LC-M-19	SBS HW VB	Min. 414 psi Celcore MF with HS Rheology Admixture and Celcore S-1	DynaFast 180 S	Min. 1.8-inch Twin-Loc Nails and Straight Line Batten Bar spaced 6-inch o.c. within the 4-inch-wide heat-welded side laps	CA SBS BUR Ply, HA SBS BUR Ply or HW SBS Ply (Min. 4-inch side laps)	CA SBS Cap, HA SBS Cap or HW SBS Cap (Min. 4-inch side laps)	-105
LC-M-22	SBS HW VB	Min. 475 psi Celcore MF with HS Rheology Admixture	DynaFast 180 HW, DynaFast 180 S or DynaFast 250 HW	Min. 1.8-inch Twin-Loc Nails and Straight Line Batten Bar spaced 6-inch o.c. within the 4-inch-wide heat-welded side laps	HW SBS Ply (Min. 4-inch side laps)	HW SBS Cap (Min. 4-inch side laps)	-120
LC-M-23	SBS HW VB	Min. 400 psi Elastizell with Zell-Crete Fibers	DynaFast 180 HW or DynaFast 250 HW	All Purpose Fasteners and High Load Plates spaced 12-inch o.c. within min. 5-inch heat-welded side laps (All high load fasteners must be fastened into the structural deck below the LWC)	HW SBS Ply (Min. 4-inch side laps)	HW SBS Cap (Min. 4-inch side laps)	-120
LC-M-24	SBS HW VB	Min. 400 psi Elastizell with Zell-Crete Fibers	DynaFast 180 S	All Purpose Fasteners and High Load Plates spaced 12-inch o.c. within min. 5-inch heat-welded side laps (All high load fasteners must be fastened into the structural deck below the LWC)	CA SBS BUR Ply, HA SBS BUR Ply or HW SBS Ply (Min. 4-inch side laps)	CA SBS Cap, HA SBS Cap or HW SBS Cap (Min. 4-inch side laps)	-120
LC-M-25	SBS HW VB	Min. 475 psi Celcore MF with HS Rheology Admixture	DynaFast 180 S	Min. 1.8-inch Twin-Loc Nails and Straight Line Batten Bar spaced 6-inch o.c. within the 4-inch-wide heat-welded side laps	CA SBS BUR Ply, HA SBS BUR Ply or HW SBS Ply (Min. 4-inch side laps)	CA SBS Cap, HA SBS Cap or HW SBS Cap (Min. 4-inch side laps)	-120

WANT TO KNOW MORE?

Point a QR Reading App on your smartphone at these codes for more information and the most up-to-date data sheets.

DynaFast 180 HW



DynaFast 250 HW



For more complete details or specifications, contact your Johns Manville representative.

CA = Cold-Applied. HA = Heat Weld. Approvals referenced may be found in the Florida Building Code (FBC).